

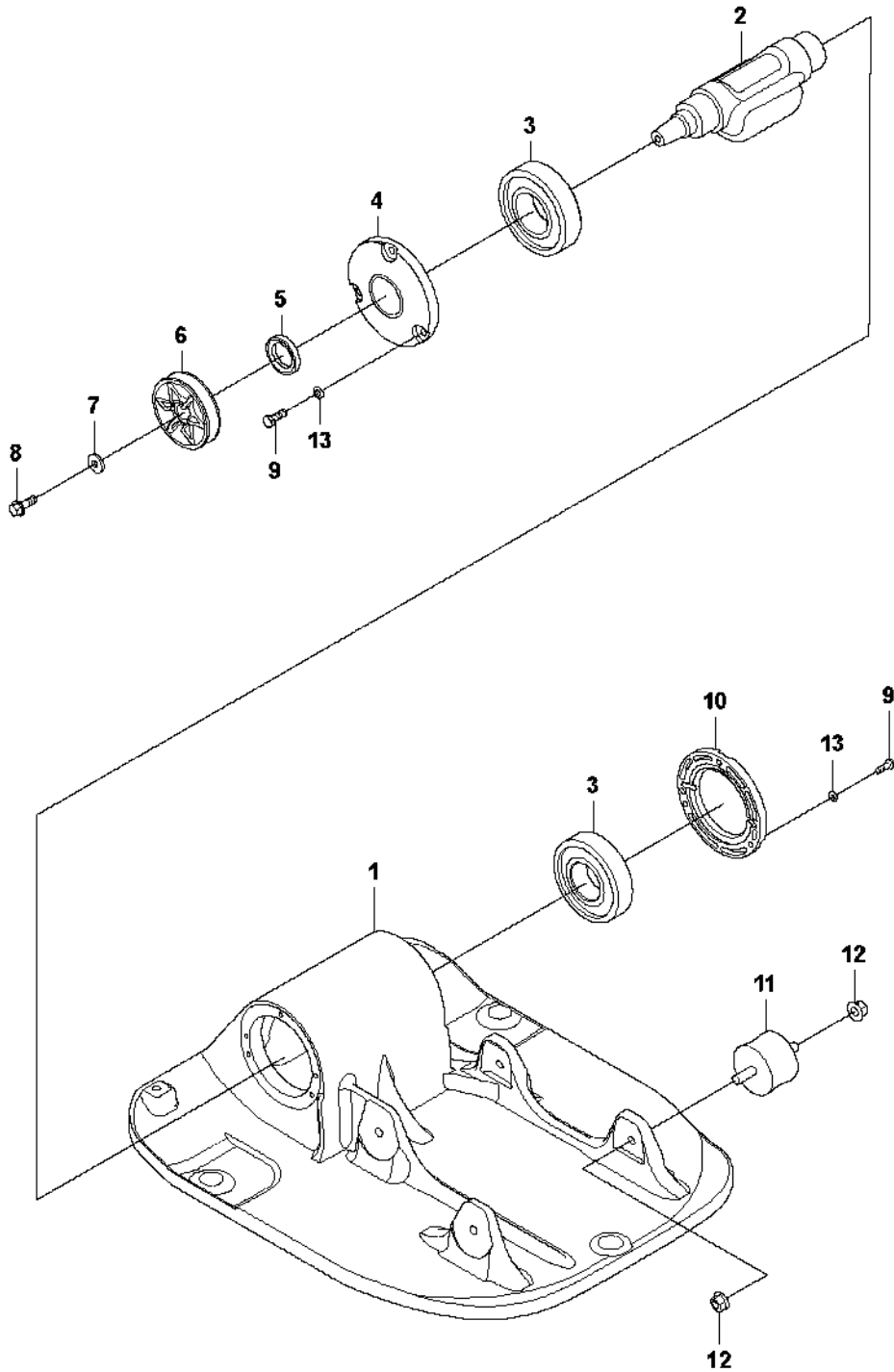


SPARE PARTS LIST

LIGHT COMPACTION

LF 130 LT, 967896601, 967896901,
2019-08

A LF 130 LT
GROUND PLATE INSTALLATION

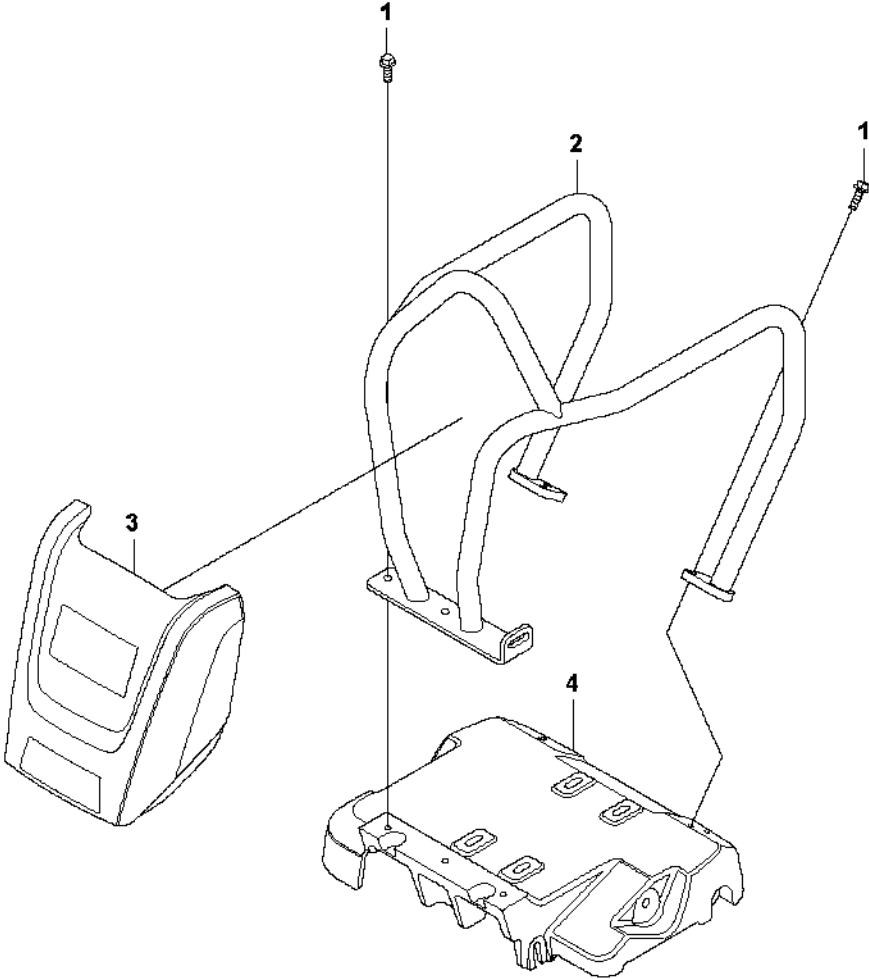


GROUND PLATE INSTALLATION

LF 130 LT, 967896601, 967896901, 2019-08

| Ref | Part No | Description | Remark | QTY KIT |
|-----|--------------|--------------|---|---------|
| 1 | 594 14 61-01 | GROUND PLATE | | 1 |
| 2 | 594 64 41-01 | SHAFT | | 1 |
| 3 | 594 52 61-01 | BALL BEARING | | 2 |
| 4 | 594 49 01-01 | COVER | | 1 |
| 5 | 594 12 83-01 | SEAL | Lip-type oil seal | 1 |
| 6 | 594 48 67-01 | PULLEY | | 1 |
| 7 | 594 12 34-01 | WASHER | 8.4 x 16 x 1.5 mm, 0.33 x 0.63 x 0.06 in. 300 HV | 1 |
| 8 | 594 12 00-01 | SCREW | M8 x 25 mm 8.8 A2K | 1 |
| 9 | 595 03 32-01 | SCREW | M6x16 8.8, A2K | 6 |
| 10 | 594 49 02-01 | COVER | | 1 |
| 11 | 594 34 19-01 | ABSORBER | | 4 |
| 12 | 594 12 26-01 | HEXAGON NUT | M10 x 1.5 mm GEOMET® | 8 |
| 13 | 594 12 46-01 | WASHER | nordlock NL6 M6 DIA 13.5 | 6 |

B LF 130 LT
ENGINE PLATE - HONDA

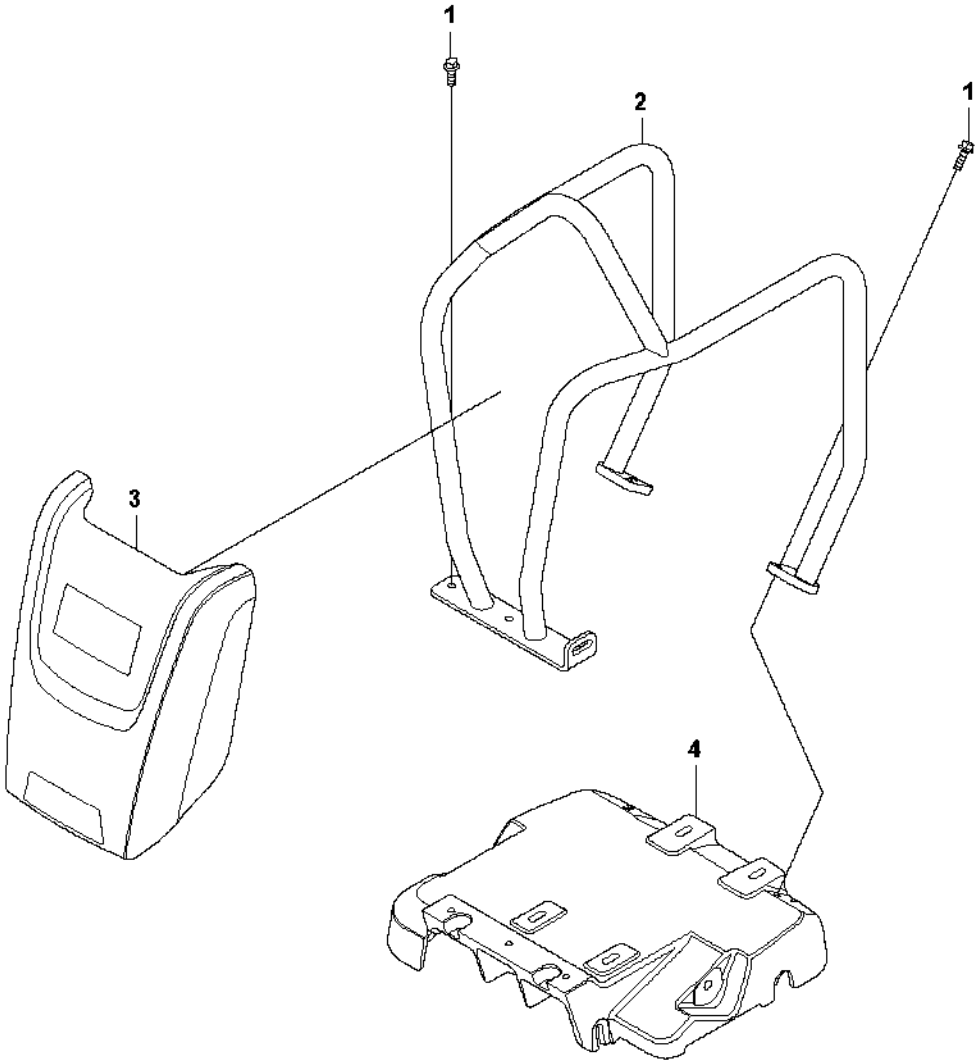


ENGINE PLATE - HONDA

LF 130 LT, 967896601, 967896901, 2019-08

| Ref | Part No | Description | Remark | QTY KIT |
|-----|--------------|--------------|--------------------|---------|
| 1 | 595 18 57-01 | SCREW | M8 x 25 mm 8.8 A2K | 7 |
| 2 | 594 14 46-01 | FRAME | | 1 |
| 3 | 594 95 80-01 | COVER | | 1 |
| 4 | 595 11 98-01 | ENGINE PLATE | | 1 |

C LF 130 LT
ENGINE PLATE - HATZ

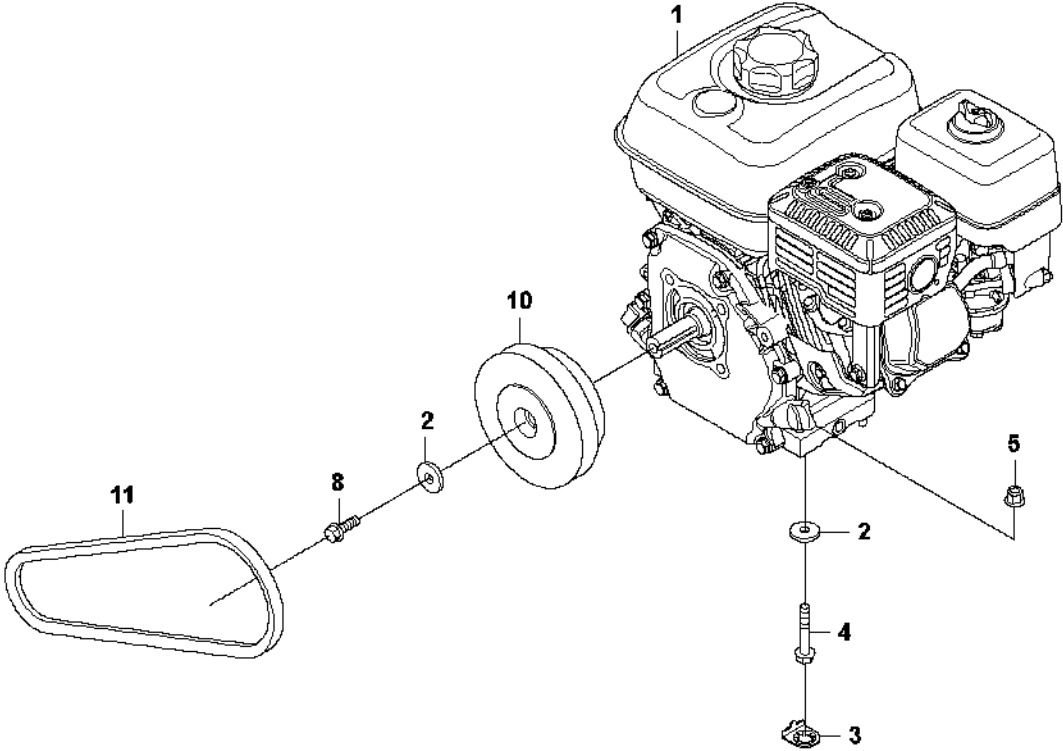


ENGINE PLATE - HATZ

LF 130 LT, 967896601, 967896901, 2019-08

| Ref | Part No | Description | Remark | QTY KIT |
|-----|--------------|--------------|------------------------------|---------|
| 1 | 594 12 00-01 | SCREW | Screw, M8 x 25 mm 8.8 A2K | 4 |
| 2 | 594 14 47-01 | FRAME | | 1 |
| 3 | 594 95 95-01 | HOOD | | 1 |
| 4 | 595 11 99-01 | ENGINE PLATE | | 1 |

D LF 130 LT
ENGINE INSTALLATION - HONDA

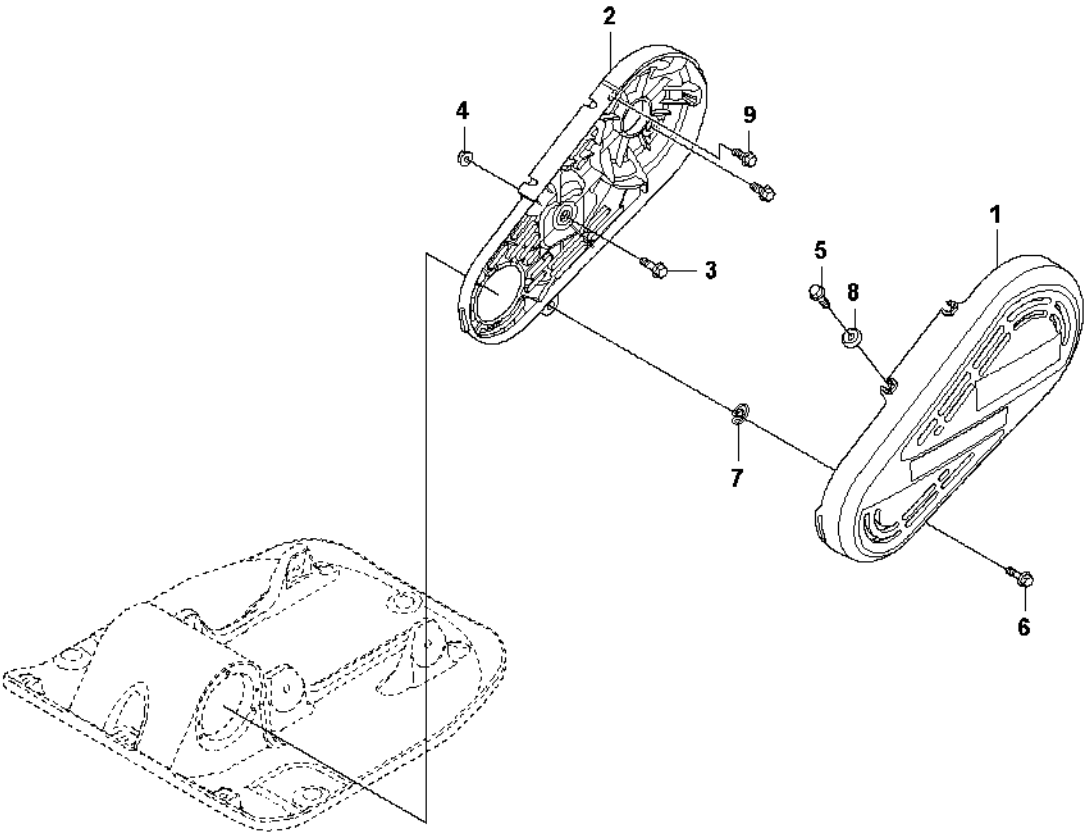


ENGINE INSTALLATION - HONDA

LF 130 LT, 967896601, 967896901, 2019-08

| Ref | Part No | Description | Remark | QTY KIT |
|-----|--------------|--------------------|-----------------------|---------|
| 1 | 594 16 11-01 | ENGINE | | 1 |
| 2 | 595 11 29-01 | WASHER | M08 8,4x26x4,0 300 HV | 5 |
| 3 | 594 48 42-01 | WASHER | | 4 |
| 4 | 594 49 91-01 | SCREW | flange screw M8x50 | 4 |
| 5 | 594 12 30-01 | LOCK NUT | | 4 |
| 8 | 594 12 00-01 | SCREW | flange screw M8x25 | 1 |
| 10 | 594 48 01-01 | CENTRIFUGAL CLUTCH | | 1 |
| 11 | 594 48 88-01 | V-BELT | | 1 |

E LF 130 LT
BELT GUARD - HONDA

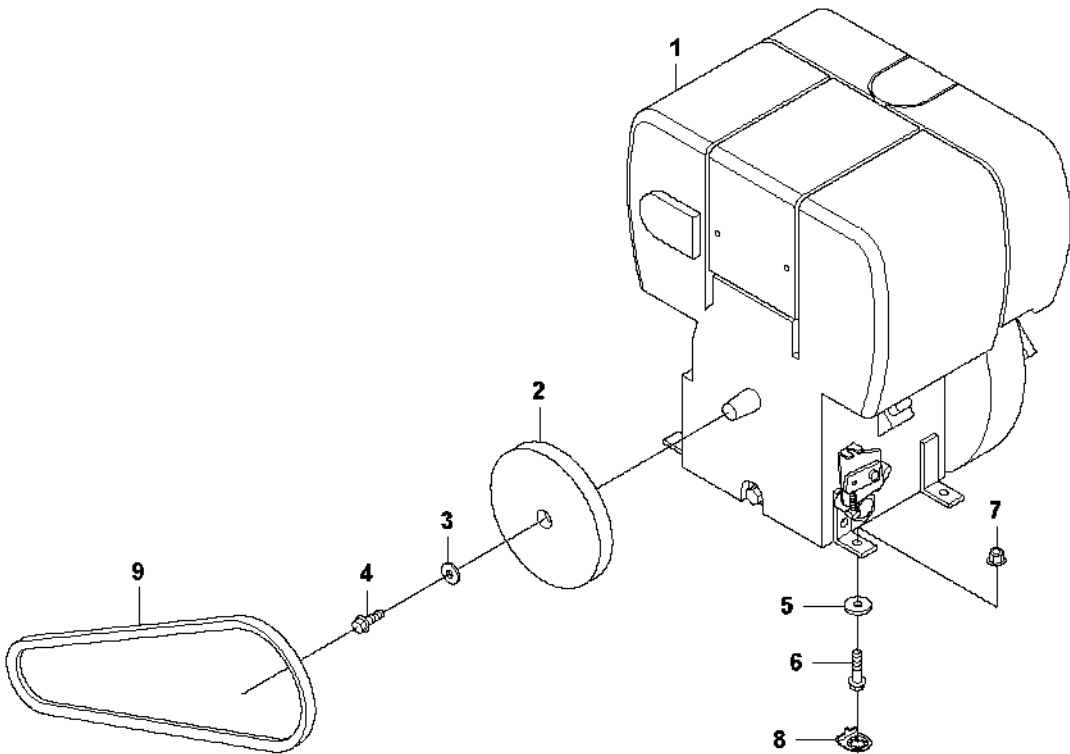


BELT GUARD - HONDA

LF 130 LT, 967896601, 967896901, 2019-08

| Ref | Part No | Description | Remark | QTY KIT |
|-----|--------------|----------------|--------------------|---------|
| 1 | 594 96 07-01 | BELT GUARD | Outer | 1 |
| 2 | 594 48 31-01 | BELT GUARD | Inner | 1 |
| 3 | 594 12 00-01 | SCREW | M8 x 25 mm 8.8 A2K | 1 |
| 4 | 594 12 30-01 | LOCK NUT | M8 x 1.25 mm A2K | 1 |
| 5 | 594 11 98-01 | SCREW | FLANGE SCREW | 3 |
| 6 | 594 64 80-01 | SCREW | M8 x 25 mm 8.8 A2K | 1 |
| 7 | 594 65 02-01 | LOCKING SPRING | | 1 |
| 8 | 594 64 78-01 | WASHER | | 3 |
| 9 | 595 28 73-01 | SCREW | M8 x 20 mm 8.8 A2K | 2 |

F LF 130 LT
ENGINE INSTALLATION - HATZ

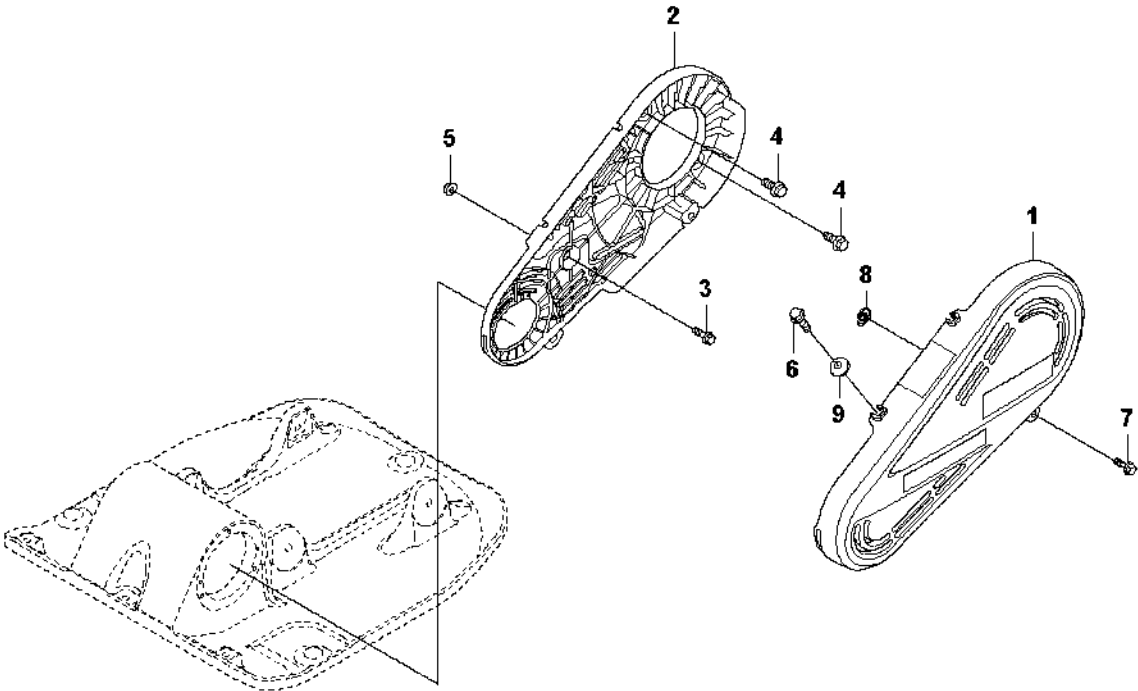


ENGINE INSTALLATION - HATZ

LF 130 LT, 967896601, 967896901, 2019-08

| Ref | Part No | Description | Remark | QTY KIT |
|-----|--------------|-------------|-----------------------------------|---------|
| 1 | 596 24 12-15 | ENGINE | Hatz 1B20 manual start | 1 |
| 2 | 594 48 00-01 | CLUTCH | Centrifugal | 1 |
| 3 | 594 12 34-01 | WASHER | Washer, 8.4 x 22 x 3 mm 300 HV | 1 |
| 4 | 594 11 98-01 | SCREW | Screw, M8 x 30 mm | 1 |
| 5 | 595 11 29-01 | WASHER | Washer, 8.4 x 22 x 3 mm | 4 |
| 6 | 594 12 01-01 | SCREW | Screw, M8 x 40 mm | 4 |
| 7 | 594 12 30-01 | LOCK NUT | Lock nut, M8 x 1.25 mm | 4 |
| 8 | 594 48 42-01 | WASHER | | 4 |
| 9 | 594 48 89-01 | BELT | | 1 |

G LF 130
BELT GUARD - HATZ

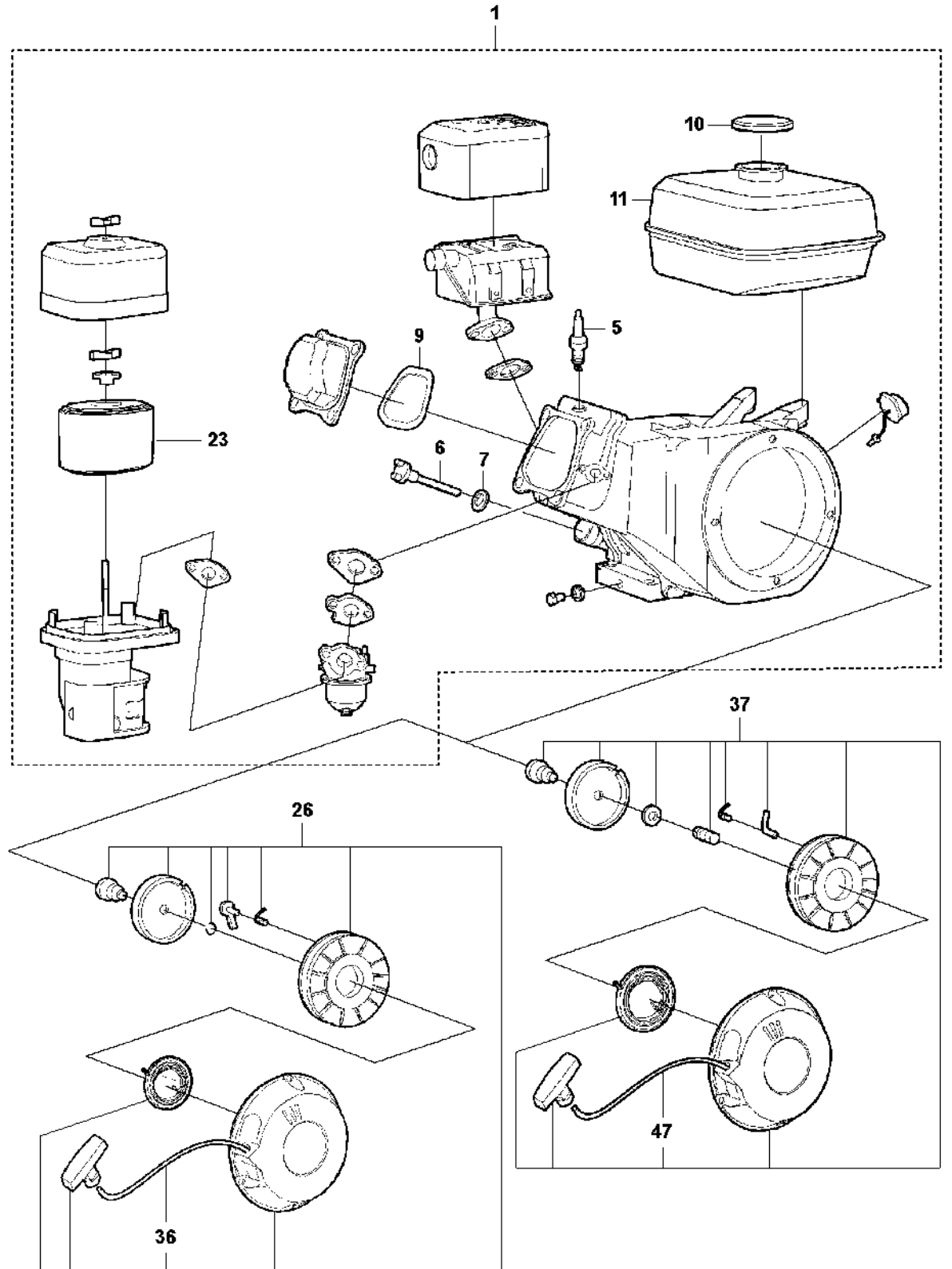


BELT GUARD - HATZ

LF 130 LT, 967896601, 967896901, 2019-08

| Ref | Part No | Description | Remark | QTY KIT |
|-----|--------------|----------------|--------------------|---------|
| 1 | 594 96 08-01 | BELT GUARD | Outer | 1 |
| 2 | 594 48 39-01 | BELT GUARD | Inner | 1 |
| 3 | 594 12 00-01 | SCREW | Screw, M8 x 25 mm | 1 |
| 4 | 595 99 01-01 | SCREW | Screw, M10 x 25 mm | 2 |
| 5 | 594 12 30-01 | LOCK NUT | Nut, M8 x 1.25 mm | 1 |
| 6 | 594 11 98-01 | SCREW | Screw, M8 x 30 mm | 2 |
| 7 | 594 64 80-01 | SCREW | M8 x 25 mm 8.8 A2K | 2 |
| 8 | 594 65 02-01 | LOCKING SPRING | | 2 |
| 9 | 594 64 78-01 | WASHER | | 2 |

H LF 130 LT
ENGINE - HONDA GX 160 UT2 SXS4 OH

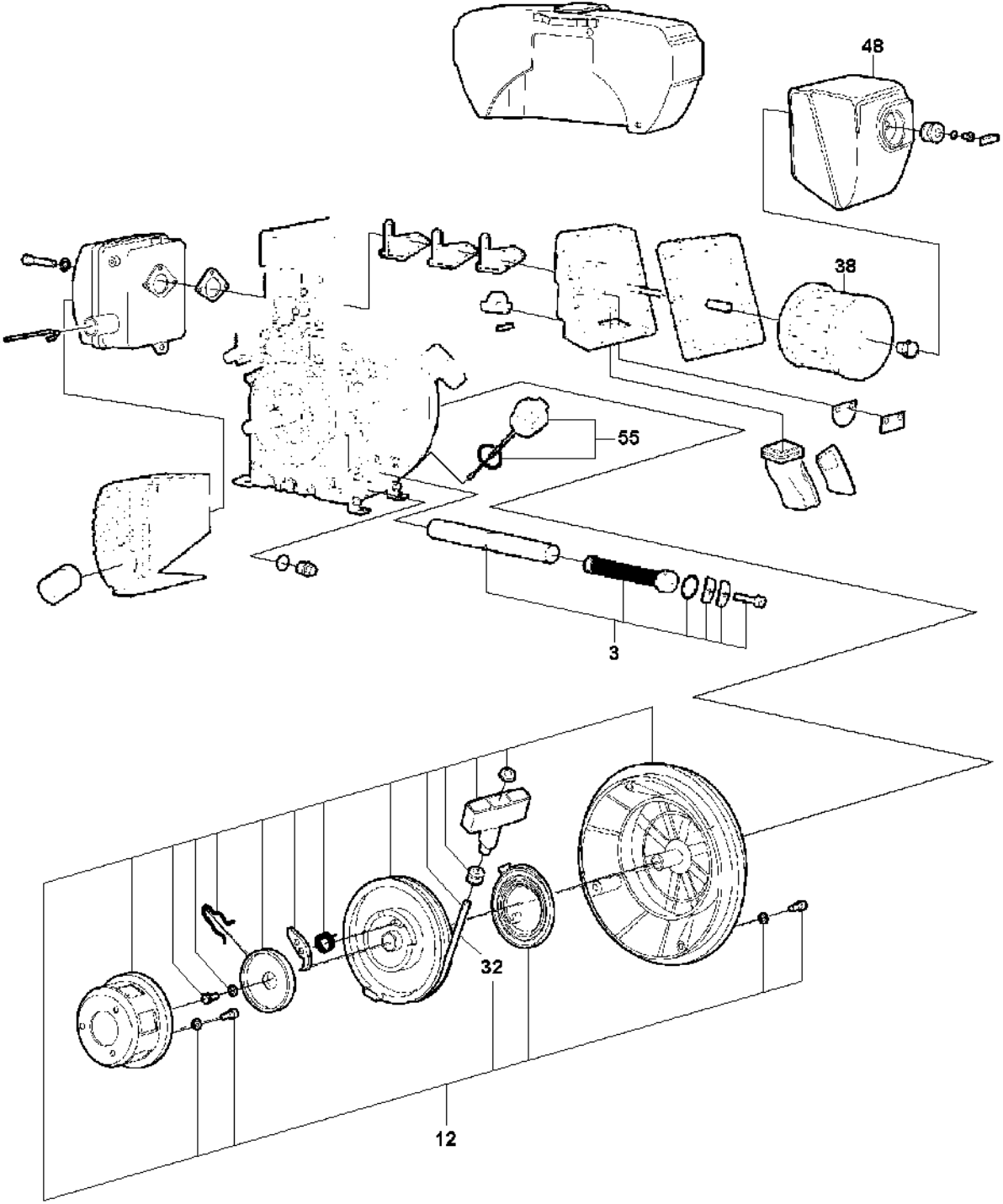


ENGINE - HONDA

LF 130 LT, 967896601, 967896901, 2019-08

| Ref | Part No | Description | Remark | QTY KIT | |
|-----|--------------|-------------|---|---------|-------|
| 1 | 594 16 11-01 | ENGINE | Honda GX160UT2 SXS4 SD | 1 | |
| 5 | 594 20 40-01 | SPARK PLUG | (bpr6es) (ngk) | 1 | 1 |
| 6 | 594 20 38-01 | OIL | | 1 | 1 |
| 7 | 594 20 39-01 | GASKET | | 1 | 1 |
| 9 | 595 04 88-01 | GASKET | | 1 | 1 |
| 10 | 594 20 46-01 | FUEL CAP | | 1 | 1 |
| 11 | 594 20 45-01 | FUEL TANK | | 1 | 1 |
| 23 | 594 30 21-01 | AIR FILTER | Delivered with outer and inner filter. | 1 | 1 |
| 26 | 594 30 06-01 | STARTER | Complete, Red, Valid up to engine serial number 1411005. | 1 | 1 |
| 36 | 595 04 91-01 | ROPE | | 1 | 1, 26 |
| 37 | 594 20 48-01 | STARTER | recoil *nh1*, Complete, Black, Valid from engine serial number 1411006. | 1 | 1 |
| 47 | 595 04 91-01 | ROPE | | 1 | 1, 37 |

J LF 130 LT
ENGINE - HATZ 1B20 - MANUAL START

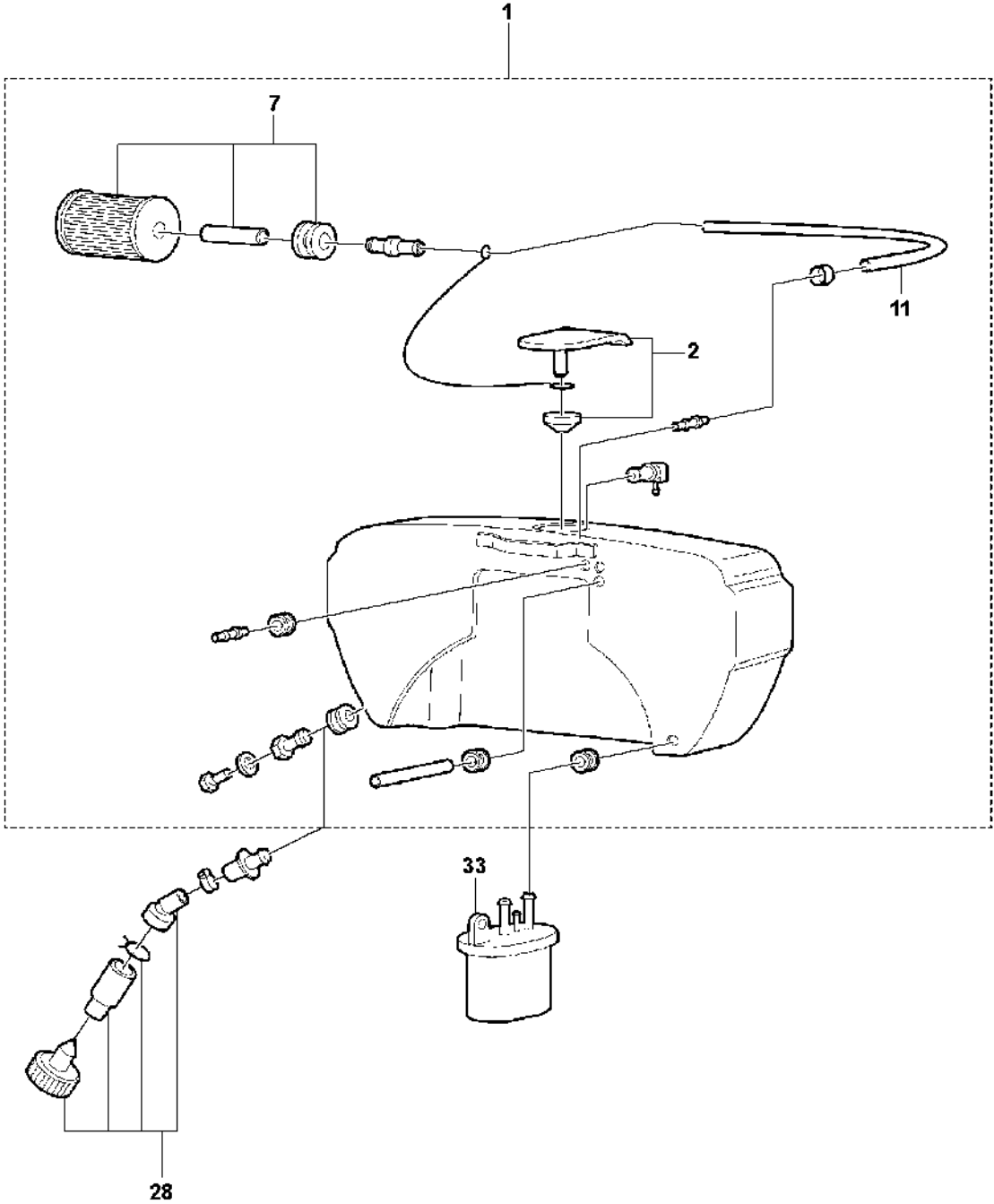


ENGINE - HATZ

LF 130 LT, 967896601, 967896901, 2019-08

| Ref | Part No | Description | Remark | QTY | KIT |
|-----|--------------|------------------|----------|-----|-----|
| 1 | 596 24 12-15 | ENGINE | | 1 | |
| 3 | 594 57 01-01 | STRAINER | Complete | 1 | |
| 12 | 594 56 84-01 | STARTER | | 1 | |
| 32 | 594 56 90-01 | ROPE | | 1 | 12 |
| 38 | 594 57 11-01 | FILTER | | 1 | 34 |
| 48 | 594 57 13-01 | PROTECTIVE COVER | | 1 | |
| 55 | 594 57 80-01 | OIL | | 1 | |

K LF 130 LT
FUEL TANK - HATZ 1B20

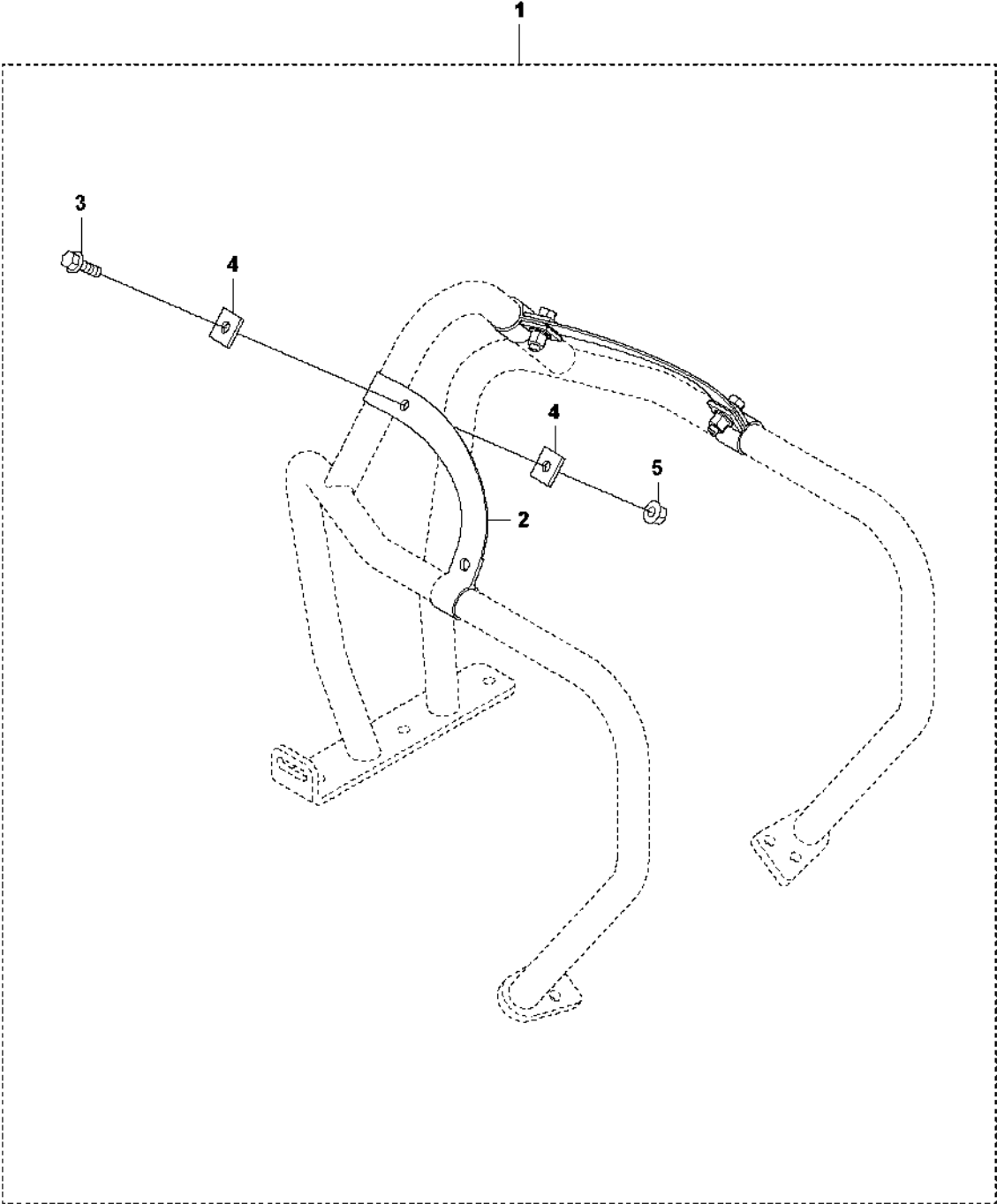


FUEL TANK

LF 130 LT, 967896601, 967896901, 2019-08

| Ref | Part No | Description | Remark | QTY | KIT |
|-----|--------------|-----------------|--------|-----|-----|
| 1 | 594 20 30-01 | FUEL TANK | | 1 | |
| 2 | 594 56 61-01 | FUEL CAP | | 1 | 1 |
| 7 | 594 59 51-01 | FUEL FILTER | | 1 | 1 |
| 11 | 594 20 34-01 | FUEL HOSE | | 1 | 1 |
| 28 | 594 58 32-01 | WATER SEPARATOR | | 1 | |
| 33 | 594 60 19-01 | FUEL FILTER | | 1 | |

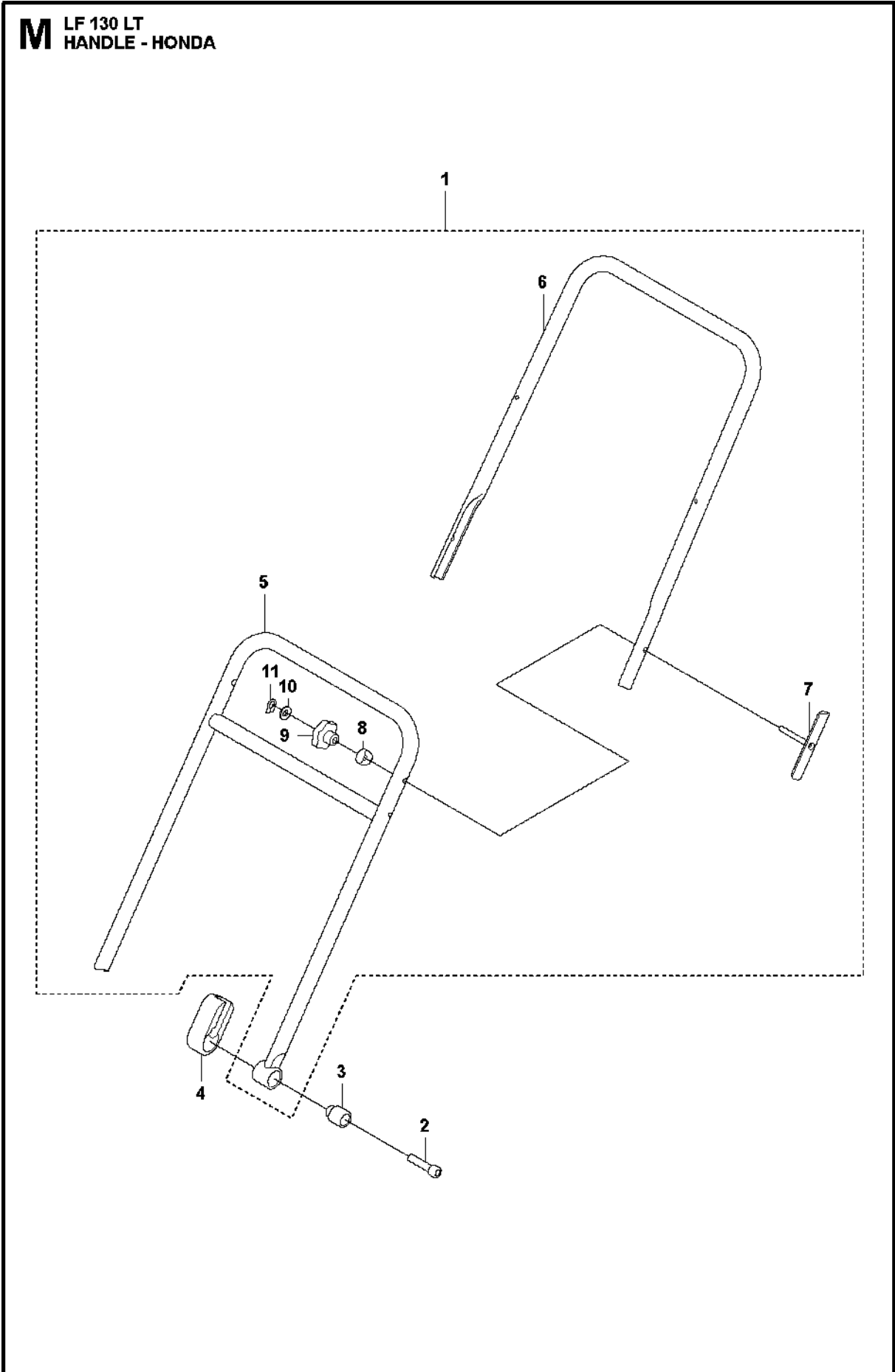
L LF 130 LT
FORK LIFTING DEVICE



FORK LIFTING DEVICE

LF 130 LT, 967896601, 967896901, 2019-08

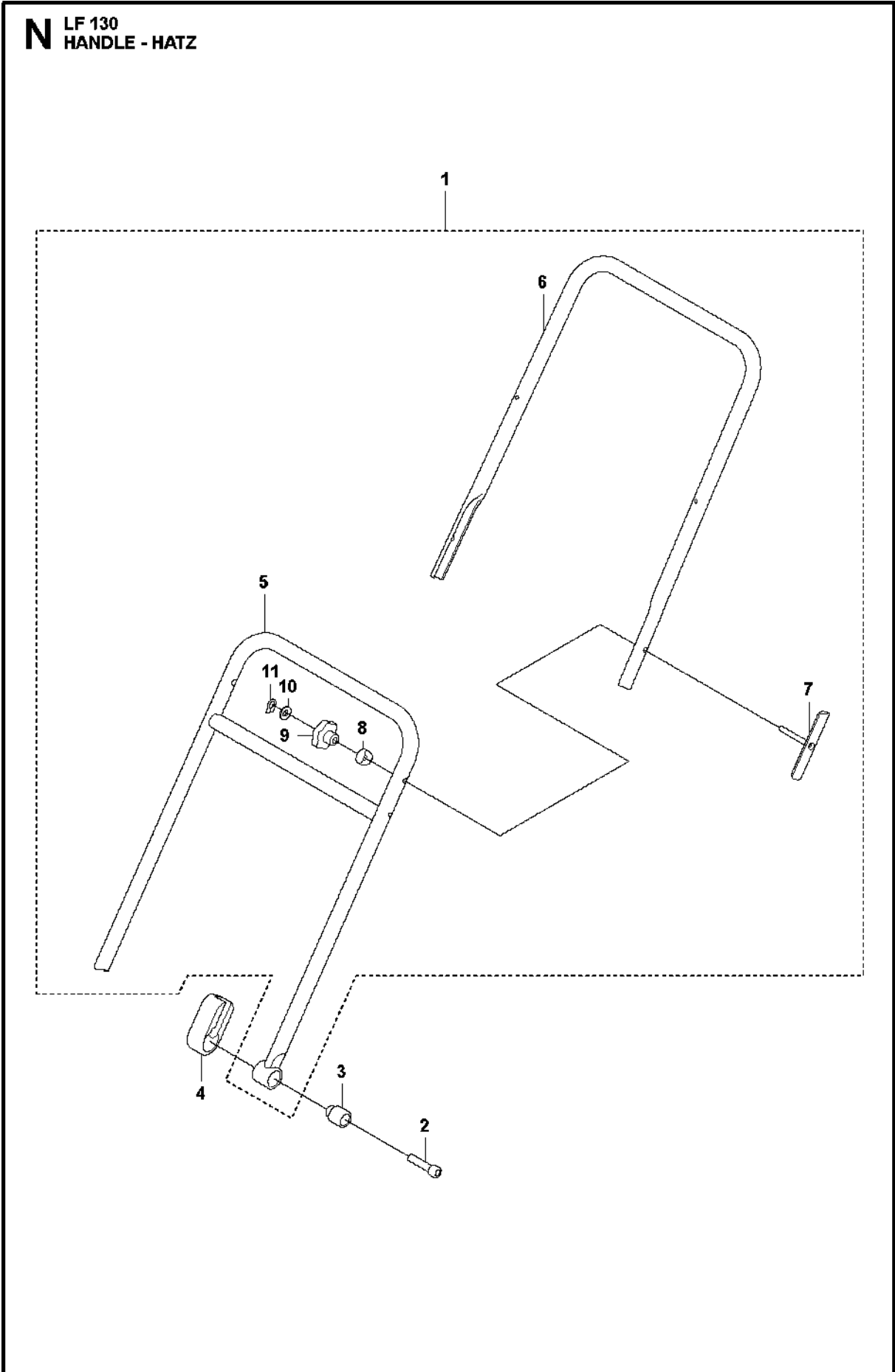
| Ref | Part No | Description | Remark | QTY KIT | |
|-----|--------------|-------------|----------------------|---------|---|
| 1 | 595 50 31-01 | FORK | | 1 | |
| 2 | 594 48 99-01 | HANDLE | | 2 | 1 |
| 3 | 594 11 98-01 | SCREW | m8x30 | 4 | 1 |
| 4 | 595 18 27-01 | WASHER | square washer 9x25x3 | 8 | 1 |
| 5 | 594 12 30-01 | LOCK NUT | M08x1,25, -8, A2K | 4 | 1 |



HANDLE - HONDA

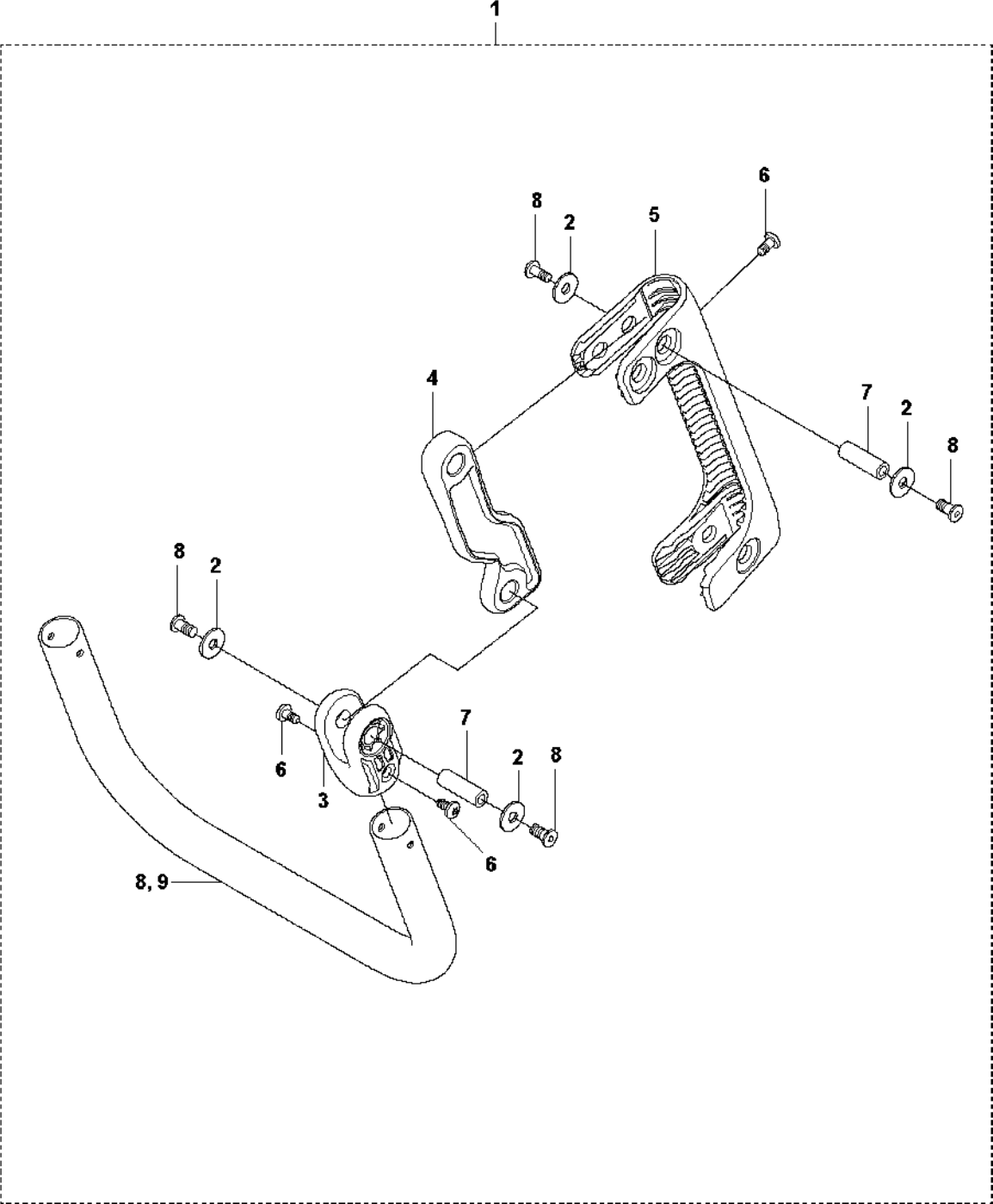
LF 130 LT, 967896601, 967896901, 2019-08

| Ref | Part No | Description | Remark | QTY KIT | |
|-----|--------------|--------------|---|---------|---|
| 1 | 594 76 11-01 | HANDLE | Handle Grab, module | 1 | |
| 2 | 595 07 16-01 | SOCKET | M12 x 50 mm 8.8 A3K | 2 | |
| 3 | 594 65 47-01 | SLEEVE | | 2 | |
| 4 | 594 48 04-01 | RADIATOR | | 2 | |
| 5 | 594 65 40-01 | HANDLE | lower part handle | 1 | 1 |
| 6 | 594 65 41-01 | HANDLE | Upper part handle | 1 | 1 |
| 7 | 594 65 44-01 | BRACKET | | 2 | 1 |
| 8 | 594 65 42-01 | SLEEVE | | 2 | 1 |
| 9 | 594 65 43-01 | KNOB | | 2 | 1 |
| 10 | 594 12 38-01 | PLANE WASHER | 5,3x10x1 300HV | 2 | 1 |
| 11 | 594 26 55-01 | RING | 4.8 x 7 x 0.6 mm, 0.18 x 0.26 x 0.02 in. | 2 | 1 |



| Ref | Part No | Description | Remark | QTY KIT |
|-----|--------------|--------------|---|---------|
| 1 | 594 86 90-01 | HANDLE | Handle Grab, module | 1 |
| 2 | 595 07 16-01 | SOCKET | M12 x 50 mm FZB | 2 |
| 3 | 594 65 47-01 | SLEEVE | | 2 |
| 4 | 594 48 04-01 | RADIATOR | | 2 |
| 5 | 594 65 45-01 | HANDLE | lower | 1 |
| 6 | 594 65 46-01 | HANDLE | Upper | 1 |
| 7 | 594 65 44-01 | BRACKET | | 2 |
| 8 | 594 65 42-01 | SLEEVE | | 2 |
| 9 | 594 65 43-01 | KNOB | | 2 |
| 10 | 594 12 38-01 | PLANE WASHER | 5.3 x 10 x 1, 0.21 x 0.39 x 0.04 in. | 2 |
| 11 | 594 26 55-01 | RING | 4.8 x 7 x 0.6 mm, 0.18 x 0.26 x 0.02 in. | 2 |

P LF 130 LT
VIBRATION DAMPED HANDLE

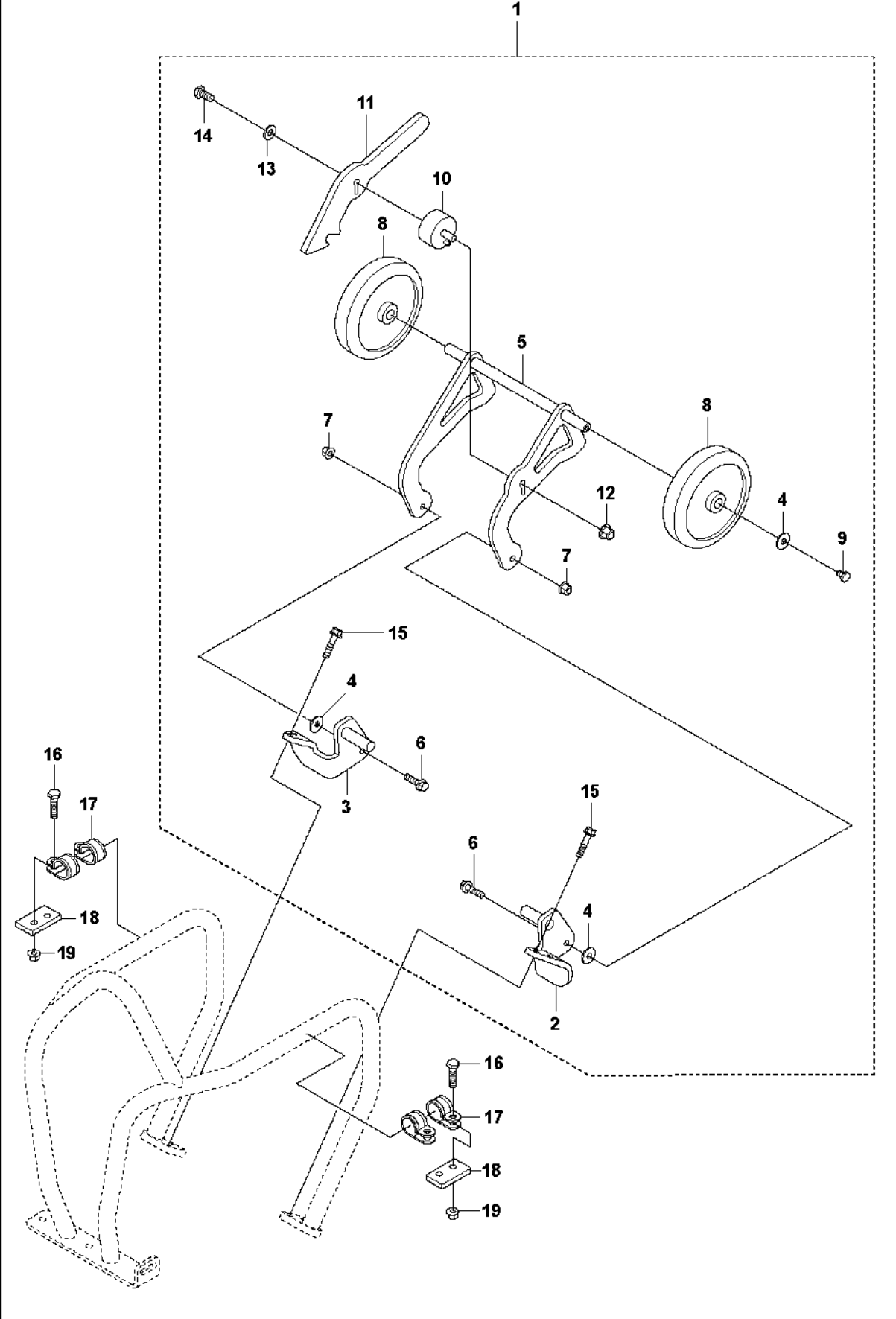


VIBRATION DAMPED HANDLE

LF 130 LT, 967896601, 967896901, 2019-08

| Ref | Part No | Description | Remark | QTY | KIT |
|-----|--------------|-------------|------------------------------|-----|-----|
| 1 | 594 20 50-01 | HANDLE | | 1 | |
| 2 | 594 52 66-01 | WASHER | Washer, 6.4x18x1.6 mm A2T | 16 | 1 |
| 3 | 594 48 22-01 | BRACKET | | 2 | 1 |
| 4 | 594 48 05-01 | ABSORBER | | 2 | 1 |
| 5 | 594 48 21-01 | BRACKET | | 2 | 1 |
| 6 | 594 52 50-01 | SCREW | M5 x 10 mm A2K | 8 | 1 |
| 7 | 594 52 47-01 | NUT | M6 x 30 mm 8.8 | 8 | 1 |
| 8 | 594 52 67-01 | SCREW | M6 x 12 mm 10.9 A2T | 16 | 1 |
| 9 | 594 16 63-01 | HANDLE | | 1 | 1 |

Q LF 130 LT
TRANSPORT DEVICE

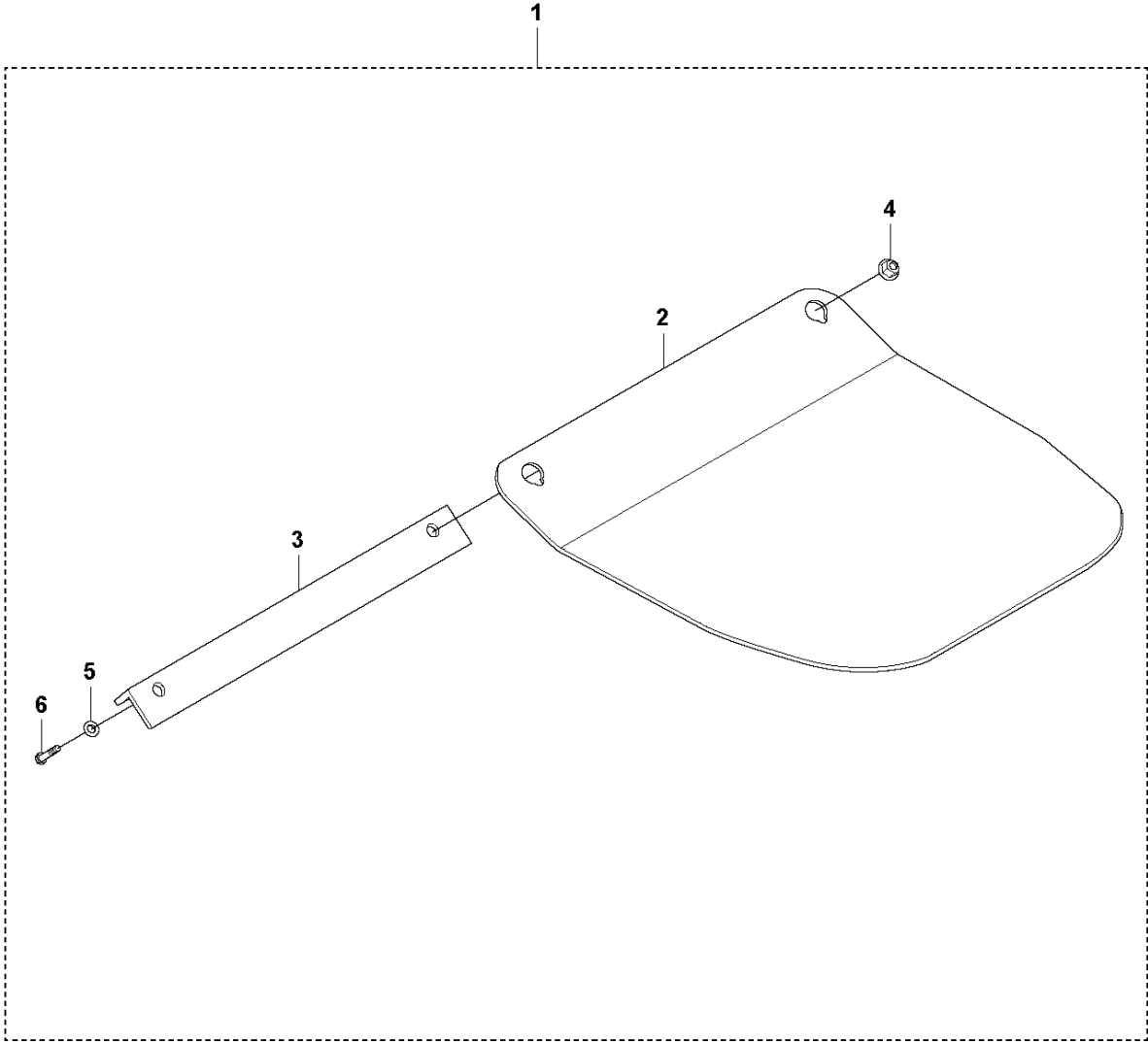


TRANSPORT DEVICE

LF 130 LT, 967896601, 967896901, 2019-08

| Ref | Part No | Description | Remark | QTY KIT | |
|-----|--------------|-------------|--------------------------------------|---------|---|
| 1 | 594 20 49-01 | TRANSPORT | Transport device | 1 | |
| 2 | 594 64 87-01 | BRACKET | Left | 1 | 1 |
| 3 | 594 64 89-01 | BRACKET | Right | 1 | 1 |
| 4 | 595 06 10-01 | WASHER | 8,4x25x2 mm | 4 | 1 |
| 5 | 594 64 88-01 | FORK | | 1 | 1 |
| 6 | 594 11 98-01 | SCREW | M8x30 mm 8.8 A2K | 2 | 1 |
| 7 | 594 12 30-01 | LOCK NUT | M8x1.25 mm A2K | 2 | 1 |
| 8 | 594 45 55-01 | WHEEL | WHEEL | 2 | 1 |
| 9 | 596 88 97-07 | SCREW | SCREW Hex. Head M6S M8x12 8.8 fzb | 2 | 1 |
| 10 | 594 46 27-01 | ABSORBER | shock absorber | 1 | 1 |
| 11 | 594 65 10-01 | HOOK | | 1 | 1 |
| 12 | 595 06 47-01 | LOCK NUT | M10 | 1 | 1 |
| 13 | 594 74 74-01 | WASHER | M10 10,5x22x2,0 300 HV | 1 | 1 |
| 14 | 594 11 84-01 | SCREW | M10x20 mm 8.8 A3K | 1 | 1 |
| 15 | 594 12 00-01 | SCREW | M8x25mm 8.8 A2K | 4 | 1 |
| 16 | 595 46 63-01 | SCREW | M06x025H, 8.8, A2K | 4 | |
| 17 | 595 06 85-01 | CLAMP | 22x6.4x15 | 4 | |
| 18 | 594 64 60-01 | STOP | | 2 | |
| 19 | 595 11 26-01 | NUT | M06x1,00, -8, A2K | 4 | |

R LF 130 LT
BLOCK PAVING PLATE 500 MM (19,7")

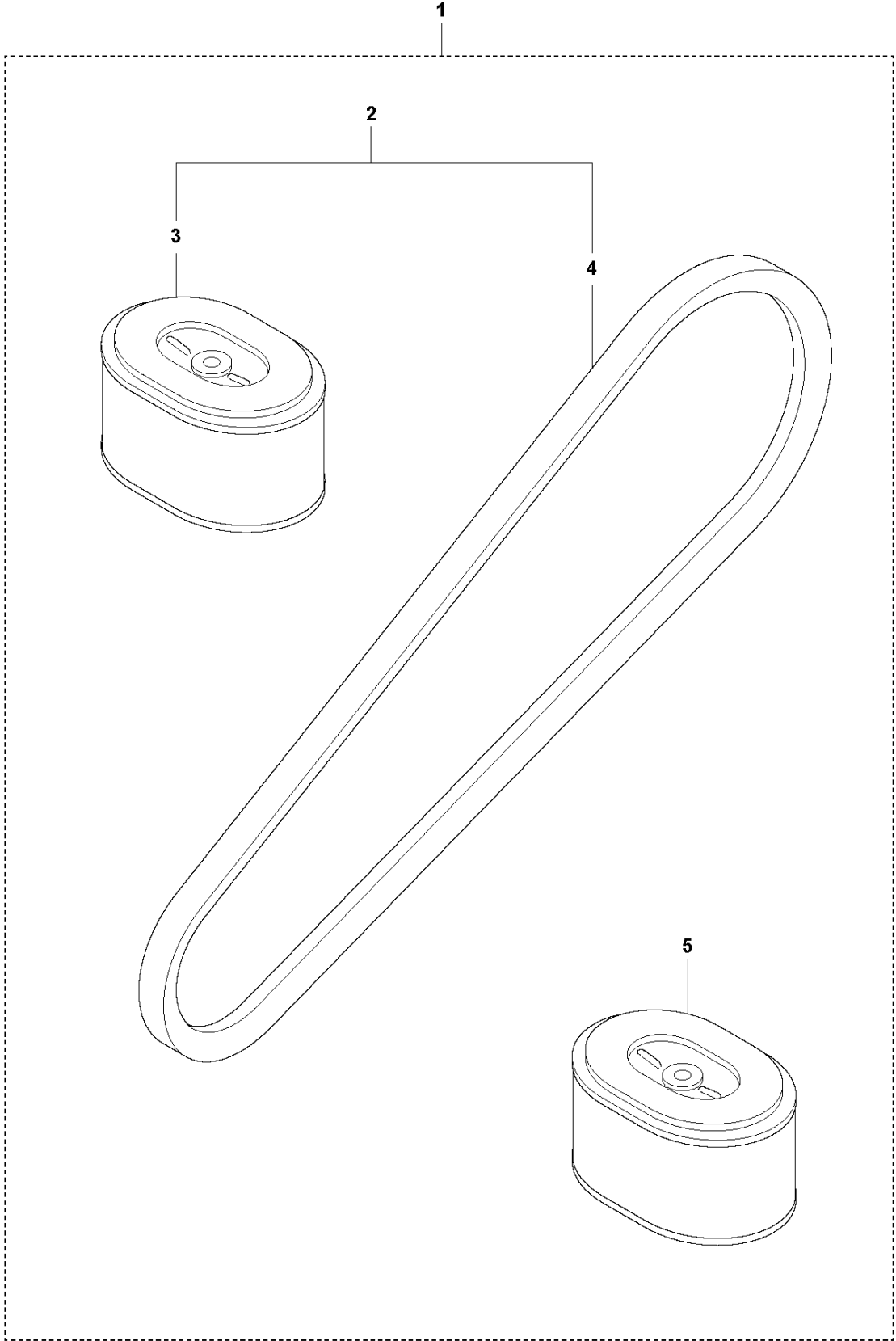


BLOCK PAVING PLATE 500 MM

LF 130 LT, 967896601, 967896901, 2019-08

| Ref | Part No | Description | Remark | QTY KIT | |
|-----|--------------|------------------|-------------------------------------|---------|---|
| 2 | 594 48 48-01 | PLATE | "Polyurethane plate, 500 mm, 19.7"" | 1 | 1 |
| 1 | 594 86 82-01 | BLOCK PAVING KIT | Complete | 1 | |
| 3 | 594 48 49-01 | BRACKET | | 1 | 1 |
| 4 | 594 12 30-01 | LOCK NUT | M8 x 1.25 mm A2K | 2 | 1 |
| 5 | 595 03 66-01 | WASHER | 8.4x 16x1.5 mm 300HV | 2 | 1 |
| 6 | 594 52 25-01 | SCREW | M8 x 75 mm 8.8 A2K | 2 | 1 |

S LF 130 LT
START UP KIT - HONDA

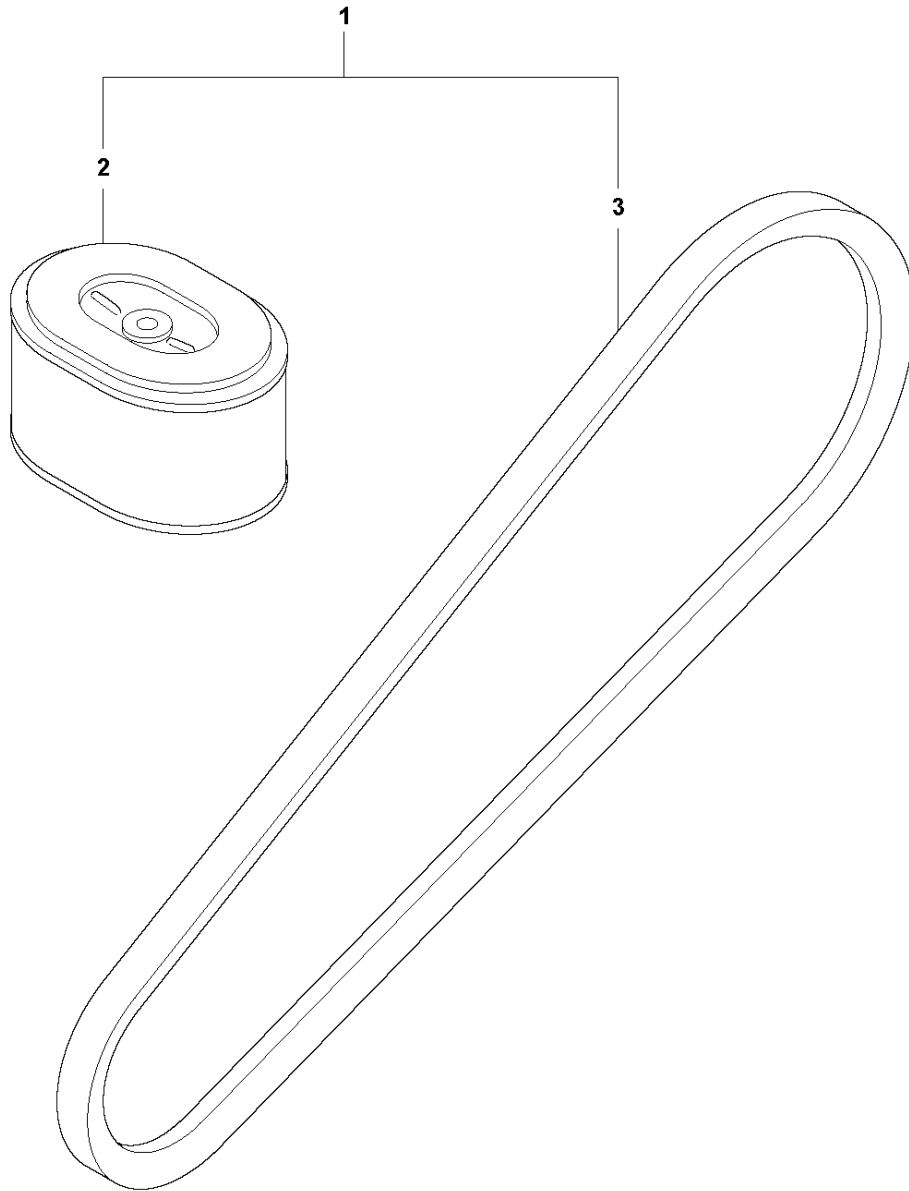


START UP KIT - HONDA

LF 130 LT, 967896601, 967896901, 2019-08

| Ref | Part No | Description | Remark | QTY KIT | |
|-----|--------------|-------------|-----------------------------------|---------|-----|
| 1 | 595 38 53-01 | SERVICE KIT | | 1 | |
| 2 | 594 21 62-01 | SERVICE KIT | 12 months / 200 hours service kit | 1 | 1 |
| 3 | 594 30 21-01 | AIR FILTER | Complete | 1 | 1,2 |
| 4 | 594 48 88-01 | V-BELT | | 1 | 1,2 |
| 5 | 594 30 21-01 | AIR FILTER | Complete | 1 | 1,2 |

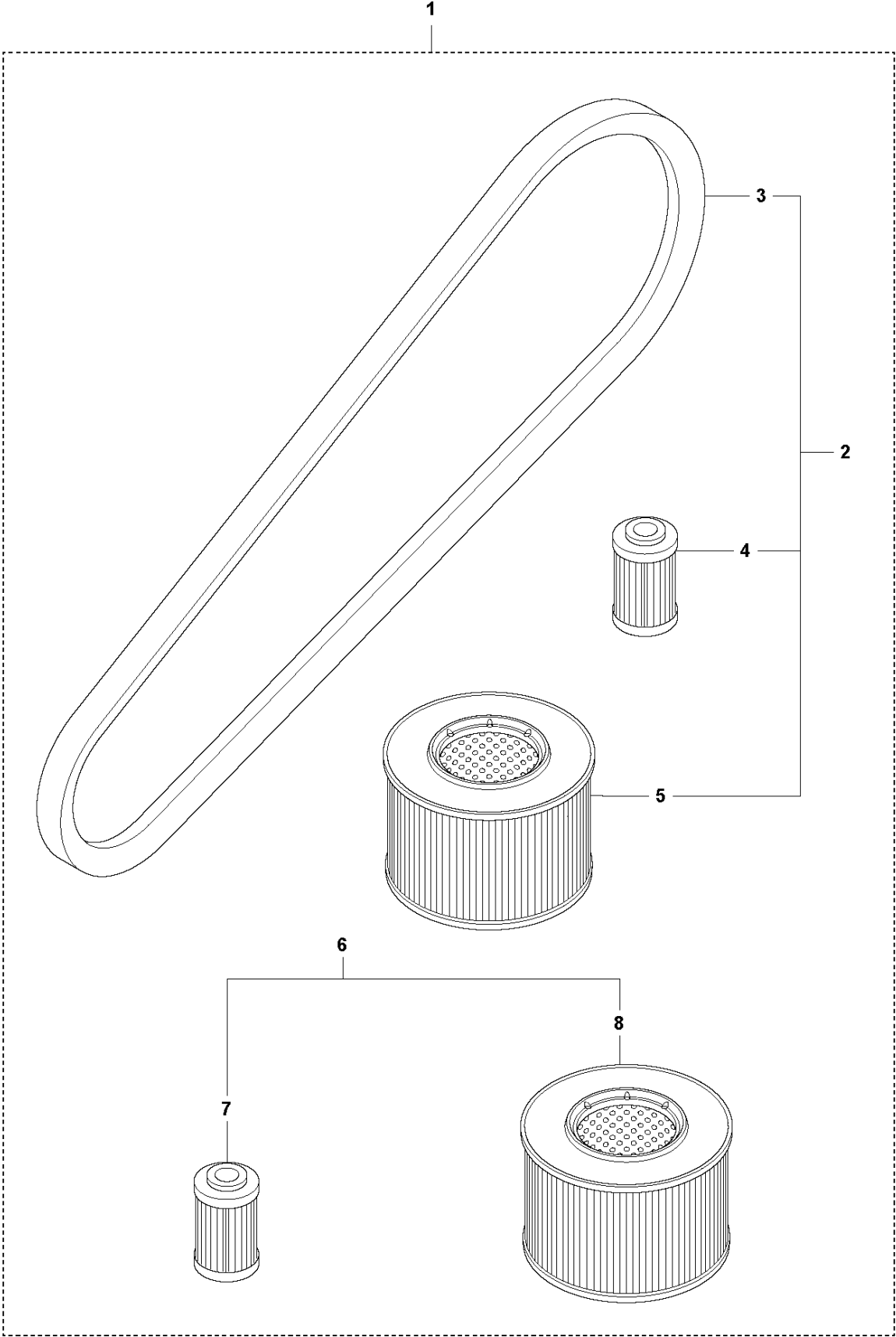
T LF 130 LT
12 MONTHS / 200 HOURS SERVICE KIT - HONDA



12 MONTHS / 200 HOURS SERVICE KIT - HONDA LF 130 LT, 967896601, 967896901, 2019-08

| Ref | Part No | Description | Remark | QTY KIT | |
|-----|--------------|-------------|--------|---------|---|
| 1 | 594 21 62-01 | SERVICE KIT | | 1 | |
| 2 | 594 30 21-01 | AIR FILTER | | 1 | 1 |
| 3 | 594 48 88-01 | V-BELT | | 1 | 1 |

U LF 130 LT
START UP KIT - HATZ

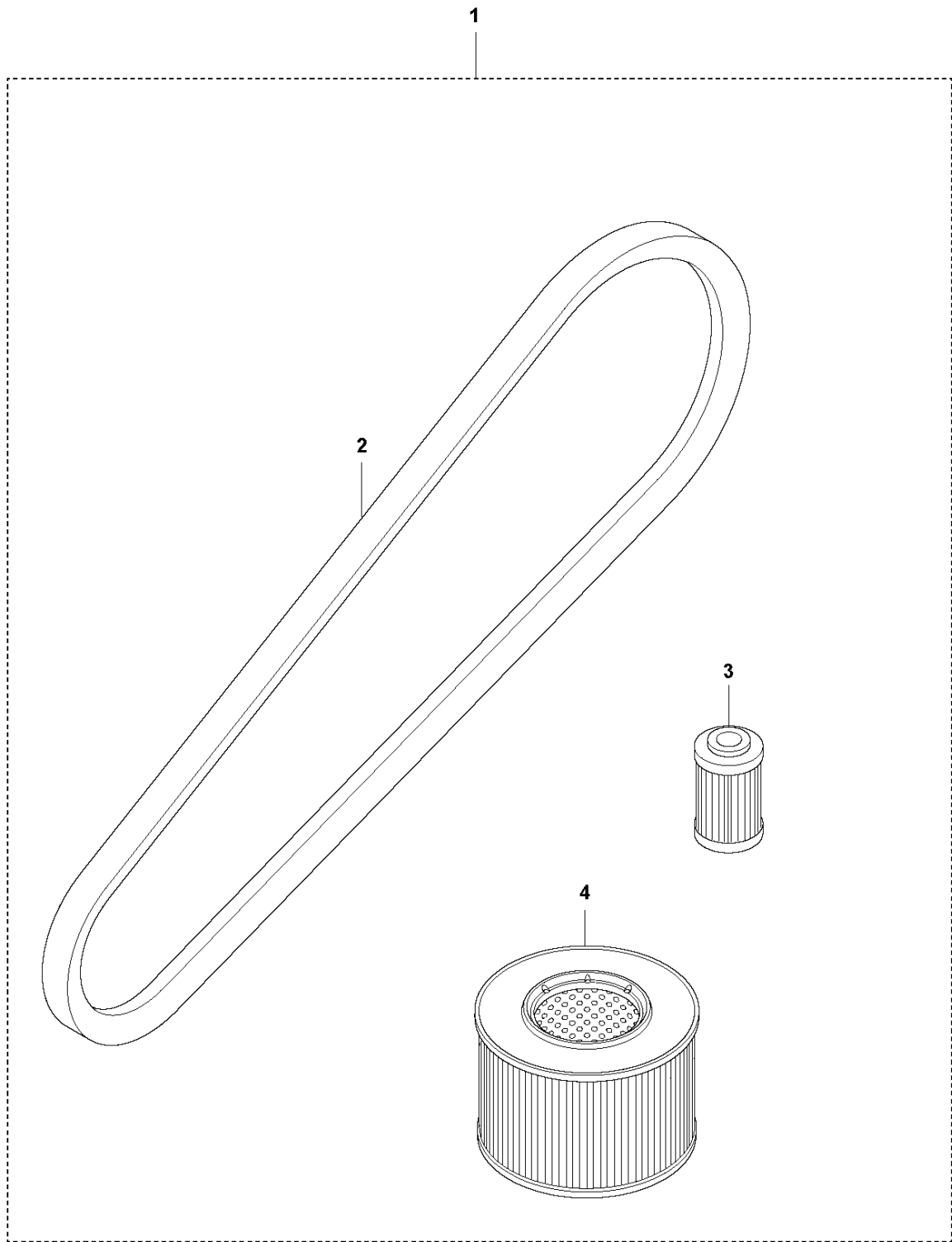


START UP KIT - HATZ

LF 130 LT, 967896601, 967896901, 2019-08

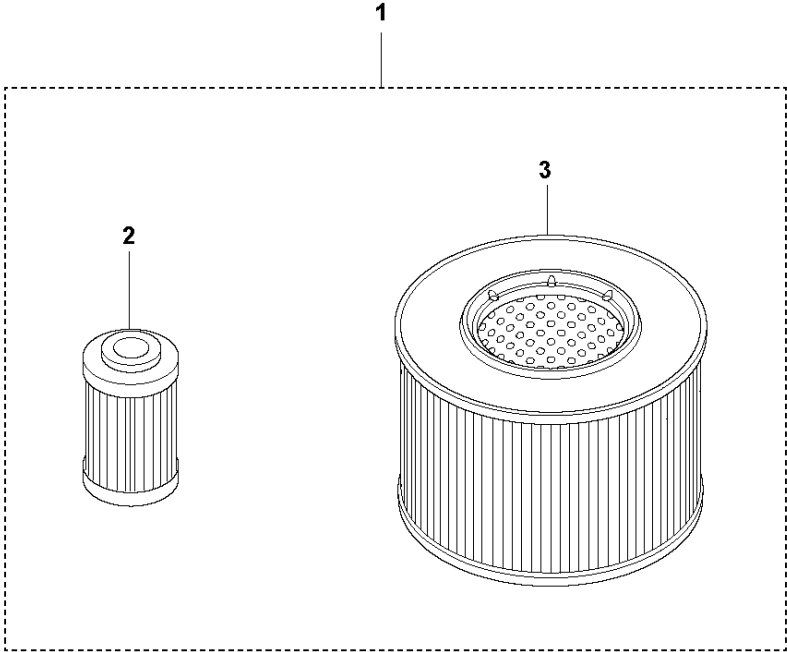
| Ref | Part No | Description | Remark | QTY KIT | |
|-----|--------------|-------------|---|---------|-----|
| 1 | 594 21 82-01 | SERVICE KIT | | 1 | |
| 2 | 594 21 67-01 | SERVICE KIT | 12 months / 500 hours service kit - Hatz | 1 | 1 |
| 3 | 594 48 89-01 | BELT | | 1 | 1,2 |
| 4 | 594 59 51-01 | FUEL FILTER | | 1 | 1,2 |
| 5 | 594 57 11-01 | FILTER | | 1 | 1,2 |
| 6 | 594 21 46-01 | SERVICE KIT | Six months / Every 250 hours kit - Hatz | 1 | 1 |
| 7 | 594 59 51-01 | FUEL FILTER | | 1 | 1,6 |
| 8 | 594 57 11-01 | FILTER | | 1 | 1,6 |

V LF 130 LT
12 MONTHS / 500 HOURS SERVICE KIT - HATZ



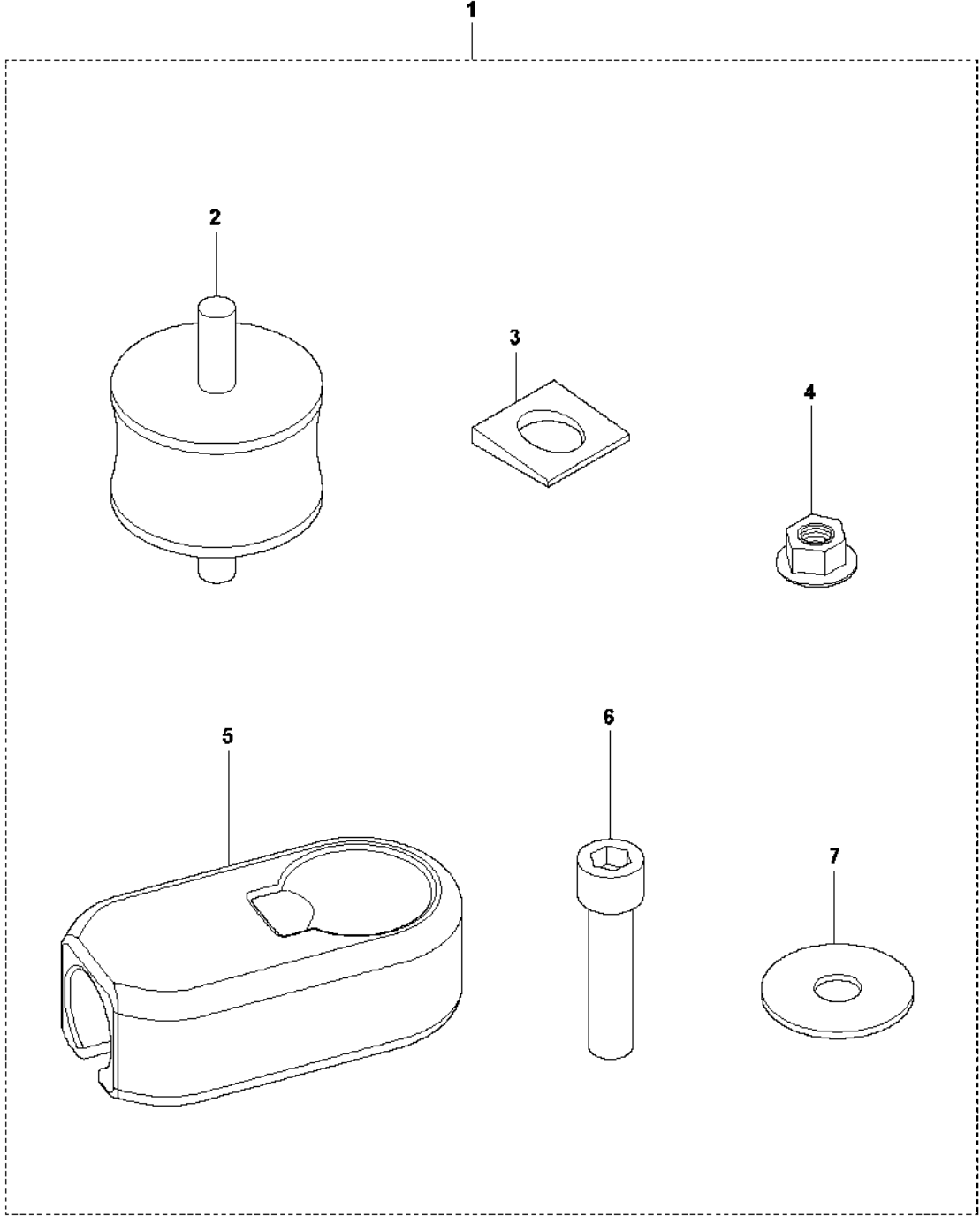
| Ref | Part No | Description | Remark | QTY KIT | |
|-----|--------------|-------------|--------|---------|---|
| 1 | 594 21 67-01 | SERVICE KIT | | 1 | |
| 2 | 594 48 89-01 | BELT | | 1 | 1 |
| 3 | 594 59 51-01 | FUEL FILTER | | 1 | 1 |
| 4 | 594 57 11-01 | FILTER | | 1 | 1 |

W LF 130 LT
SIX MONTHS / EVERY 250 HOURS KIT - HATZ



| Ref | Part No | Description | Remark | QTY | KIT |
|-----|--------------|-------------|--------|-----|-----|
| 1 | 594 21 46-01 | SERVICE KIT | | 1 | |
| 2 | 594 59 51-01 | FUEL FILTER | | 1 | 1 |
| 3 | 594 57 11-01 | FILTER | | 1 | 1 |

X LF 130 LT
SHOCK ABSORBER REPAIR KIT

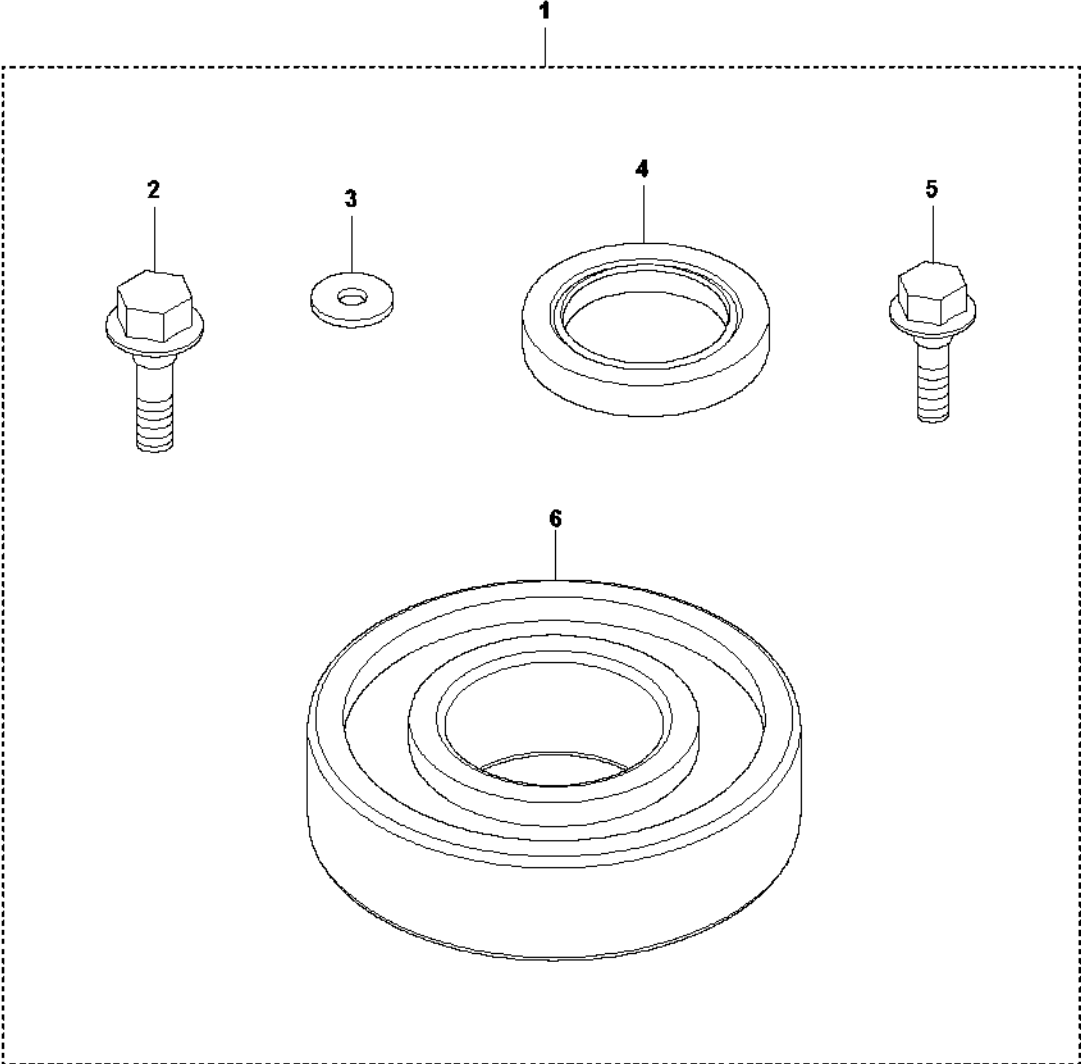


SHOCK ABSORBER REPAIR KIT

LF 130 LT, 967896601, 967896901, 2019-08

| Ref | Part No | Description | Remark | QTY KIT | |
|-----|--------------|-------------|---|---------|---|
| 1 | 594 19 46-01 | REPAIR KIT | | 1 | |
| 2 | 594 34 19-01 | ABSORBER | | 4 | 1 |
| 3 | 594 52 64-01 | WASHER | Square taper washer M10 22x22x4.6 dia.11 din 435 | 4 | 1 |
| 4 | 595 18 48-01 | HEXAGON NUT | Nut, M10 A3K | 8 | 1 |
| 5 | 594 48 04-01 | RADIATOR | | 2 | 1 |
| 6 | 594 53 00-01 | SCREW | Screw, M12 x 50 mm 8.8 A3K | 2 | 1 |
| 7 | 594 83 85-01 | WASHER | 022x10,5x4,0, S355JR, UNTR | 4 | 1 |

Y LF 130 LT
ECCENTRIC ELEMENT REPAIR KIT



ECCENTRIC ELEMENT REPAIR KIT

LF 130 LT, 967896601, 967896901, 2019-08

| Ref | Part No | Description | Remark | QTY KIT | |
|-----|--------------|--------------|-----------------------|---------|---|
| 1 | 594 19 44-01 | REPAIR KIT | | 1 | |
| 2 | 594 12 00-01 | SCREW | M08x025H, 8.8, A2K | 1 | 1 |
| 3 | 594 12 34-01 | WASHER | M08 8,4x22x3,0 300 HV | 1 | 1 |
| 4 | 594 12 83-01 | SEAL | | 1 | 1 |
| 5 | 594 52 33-01 | SCREW | M06x16, 8.8, A2K | 6 | 1 |
| 6 | 594 52 61-01 | BALL BEARING | | 2 | 1 |

Z LF 130 LT
 GOLD KIT - HONDA

1

| | | | | |
|--|------------------|------------------------------|-------------------|---|
| 1 | 595133802 | Gold Kit LF 130 Honda | | |
| Ground Plate and Eccentric System | | | | |
| 2 | Eccentric system | Eccentric system repair kit | 1 | |
| 3 | | V-Belt Pulley | 1 | |
| 4 | | Screw | 6 | |
| 5 | | Lock washer | 6 | |
| 6 | | Shock absorber repair kit | 1 | |
| Cosmetic Kit | | | | |
| 7 | Cover | Cover | 1 | |
| 8 | | Belt guard, outer | 1 | |
| 9 | | Screw | 3 | |
| 10 | | Nut | 1 | |
| 11 | | Screw | 3 | |
| 12 | | Screw | 1 | |
| 13 | | Lock Spring | 1 | |
| 14 | | Washer | 3 | |
| 15 | | Screw | 2 | |
| 16 | | Handle | Handle Kit | 1 |
| 17 | | Labeling | Product Label Set | 1 |
| Engine | | | | |
| 18 | Service kit | Yearly Service Kit | 1 | |

| Ref | Part No | Description | Remark | QTY KIT |
|-----|--------------|-------------|---------------------------------|---------|
| 1 | 595 13 38-02 | SERVICE KIT | For LF 130 LT with Honda engine | 1 |

AA LF 130 LT
SILVER KIT - HONDA

1

| | | | |
|----------|------------------|--|---------------|
| 1 | 595388501 | Silver Kit LF 130 Honda | |
| | | Ground Plate and Eccentric System | |
| 2 | Eccentric System | Eccentric Element Repair Kit | 1 |
| 3 | | V-Belt Pulley | 1 |
| 4 | | Screw | 6 |
| 5 | | Lock Washer | 6 |
| 6 | | Shock absorber repair kit | 1 |
| | | | Engine |
| 7 | Service kit | Yearly service kit | 1 |

SILVER KIT - HONDA

LF 130 LT, 967896601, 967896901, 2019-08

| Ref | Part No | Description | Remark | QTY KIT |
|-----|--------------|-------------|---------------------------------|---------|
| 1 | 595 38 85-01 | SERVICE KIT | For LF 130 LT with Honda engine | 1 |

AB LF 130 LT
COSMETIC KIT - HONDA

1

| | | | |
|----|-----------|-------------------|------------|
| 1 | 595386502 | Cosmetic Kit | |
| 2 | Covers | Cover | 1 |
| 3 | | Belt guard, outer | 1 |
| 4 | | Screw | 3 |
| 5 | | Nut | 1 |
| 6 | | Screw | 3 |
| 7 | | Screw | 1 |
| 8 | | Lock spring | 1 |
| 9 | | Washer | 3 |
| 10 | | Screw | 2 |
| 11 | | Handle | Handle kit |
| 12 | Labeling | Product lable set | 1 |

COSMETIC KIT - HONDA

LF 130 LT, 967896601, 967896901, 2019-08

| Ref | Part No | Description | Remark | QTY KIT |
|-----|--------------|-------------|---------------------------------|---------|
| 1 | 595 38 65-02 | SERVICE KIT | For LF 130 LT with Honda engine | 1 |

AC LF 130 LT
GOLD KIT - HATZ

1

| | | | | |
|--------------------------------------|------------------|------------------------------|------------|---|
| 1 | 595388602 | Gold Kit LF 130 Hatz | | |
| Ground Plate Eccentric system | | | | |
| 2 | Eccentric System | Eccentric Element Repair Kit | 1 | |
| 3 | | V-Belt Pulley | 1 | |
| 4 | | Centrifugal Clutch | 1 | |
| 5 | | Screw | 6 | |
| 6 | | Lock Washer | 6 | |
| 7 | | Shock absorber repair kit | 1 | |
| Cosmetic Kit | | | | |
| 8 | Cover | Cover | 1 | |
| 9 | | Belt guard | 1 | |
| 10 | | Bolt | 2 | |
| 11 | | Washer | 2 | |
| 12 | | Screw | 2 | |
| 13 | | Locking spring | 2 | |
| 14 | | Bolt | 1 | |
| 15 | | - | Nut | 1 |
| 16 | | - | Bolt | 2 |
| 17 | | Handle | Handle kit | 1 |
| 18 | Labeling | Product Label set | 1 | |
| Engine | | | | |
| 19 | Engine parts | Yearly service kit | 1 | |

| Ref | Part No | Description | Remark | QTY KIT |
|-----|--------------|-------------|--------------------------------|---------|
| 1 | 595 38 86-02 | SERVICE KIT | For LF 130 LT with Hatz engine | 1 |

AD LF 100 LAT
SILVER KIT - HATZ

1

| | | | |
|---|-----------------------------------|------------------------------|---|
| 1 | 594219301 | Silver Kit LF 100 Hatz | |
| | Ground Plate and Eccentric System | | |
| 2 | Eccentric system | Eccentric Element Repair Kit | 1 |
| 3 | | v-Belt Pulley | 1 |
| 4 | | Screw | 6 |
| 5 | | Lock Washer | 6 |
| 6 | | Shock absorber repair kit | 1 |
| | | Engine | |
| 7 | Service Kit | Yearly Service Kit | 1 |

SILVER KIT - HATZ

LF 130 LT, 967896601, 967896901, 2019-08

| Ref | Part No | Description | Remark | QTY KIT |
|-----|--------------|-------------|--------------------------------|---------|
| 1 | 594 21 93-01 | ENGINE | For LF 130 LT with Hatz engine | 1 |

AE LF 130 LT
COSMETIC KIT - HATZ

1

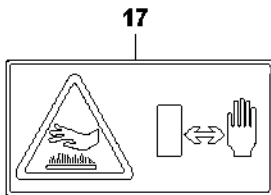
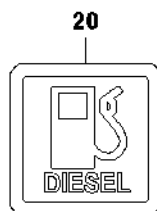
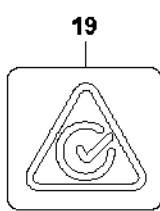
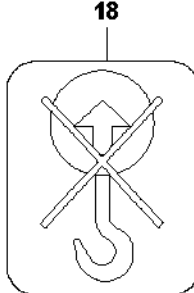
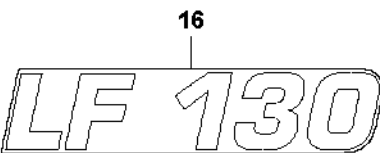
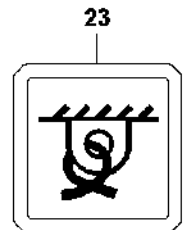
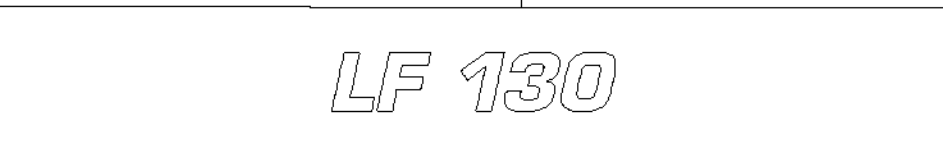
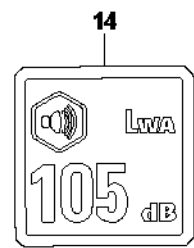
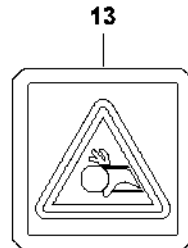
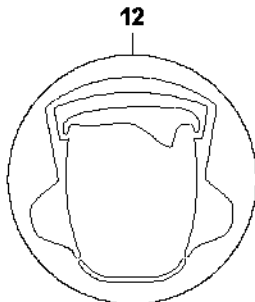
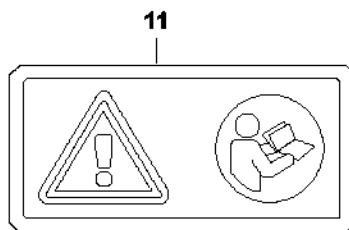
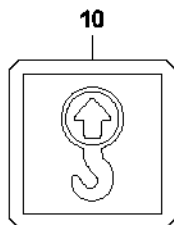
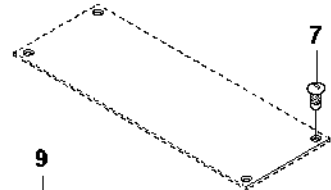
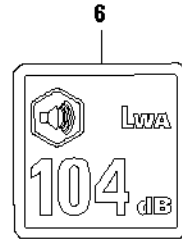
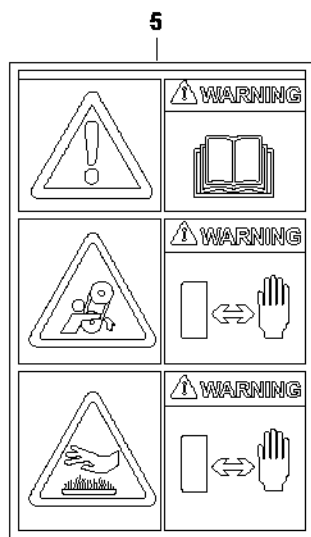
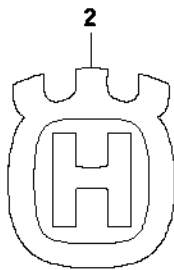
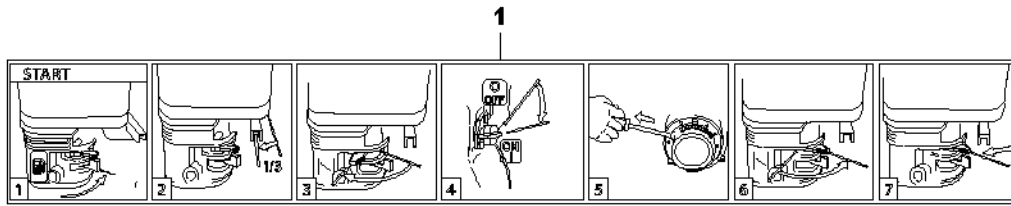
| | | | |
|----|-----------|-------------------|------------|
| 1 | 595133402 | Cosmetic Kit | |
| 2 | Cover | Cover | 1 |
| 3 | | Belt guard | 1 |
| 4 | | Bolt | 2 |
| 5 | | Washer | 2 |
| 6 | | Screw | 2 |
| 7 | | Lock spring | 2 |
| 8 | | Bolt | 1 |
| 9 | | Nut | 1 |
| 10 | | Bolt | 2 |
| 11 | | Handle | Handle kit |
| 12 | Lableling | Product lable set | 1 |

COSMETIC KIT - HATZ


LF 130 LT, 967896601, 967896901, 2019-08

| Ref | Part No | Description | Remark | QTY KIT |
|-----|--------------|-------------|-----------------------------|---------|
| 1 | 595 13 34-02 | SERVICE KIT | For LF 130 with Hatz engine | 1 |

AF LF 130 LT DECALS



22

 **WARNING:** Cancer and Reproductive Harm - www.P65Warnings.ca.gov
ADVERTENCIA: Cáncer y daño reproductivo - www.P65Warnings.ca.gov
AVERTISSEMENT: Cancer et dommages à la reproduction - www.P65Warnings.ca.gov

DECALS

LF 130 LT, 967896601, 967896901, 2019-08

| Ref | Part No | Description | Remark | QTY KIT |
|-----|--------------|-------------|-------------------------------|---------|
| 1 | 594 48 62-01 | DECAL | | 1 |
| 2 | 574 38 21-01 | DECAL | | 1 |
| 5 | 594 48 63-01 | DECAL | | 1 |
| 6 | 595 51 32-02 | LABEL | | 1 |
| 7 | 595 18 02-01 | SCREW | | 4 |
| 9 | 595 09 42-01 | DECAL | logo Husqvarna | 1 |
| 10 | 594 66 09-01 | LABEL | | 2 |
| 11 | 594 86 97-01 | LABEL | Hatz version | 1 |
| 12 | 594 65 96-01 | LABEL | Hatz version | 1 |
| 13 | 594 66 08-01 | LABEL | Hatz version | 1 |
| 14 | 594 51 56-01 | DECAL | decal level noise 105Db | 1 |
| 16 | 595 09 50-01 | DECAL | model code LF130 | 1 |
| 15 | 595 90 07-01 | DECAL | brand decal LF130 126x40mm | 1 |
| 17 | 594 48 33-01 | DECAL | | 1 |
| 18 | 595 18 61-01 | DECAL | Hot surface | 1 |
| 19 | 596 28 02-01 | DECAL | DECAL Compliance | 1 |
| 20 | 594 66 16-01 | LABEL | decal diesel - Hatz | 1 |
| 21 | 594 66 02-01 | LABEL | decal gasoline - Honda | 1 |
| 22 | 595 87 17-01 | LABEL | | 1 |
| 23 | 594 86 95-01 | LABEL | | 1 |